



Message Implementation Guideline

## **DESADV**

based on

**DESADV**

Despatch advice message

**EANCOM® 2002 S3**

Version: 2.0

Variant: AHEAD Warehouse\_Palletlevel\_Structure

Issue date: 04.02.2020

Author: ALDI SOUTH Group

ALDI SOUTH Group DESADV EANCOM D.01B (Warehouse)

---

1 Message Structure.....	3
2 Branching Diagram .....	5
3 Segments .....	12
4 Example .....	41



## Structure / Table of Contents

Counter	No	Tag	St	MaxOcc	Level	Content
0000	1	<b>UNA</b>	R	1	0	Service string advice
0000	2	<b>UNB</b>	M	1	0	Interchange header
0010	3	<b>UNH</b>	M	1	0	Message header
0020	4	<b>BGM</b>	M	1	0	Beginning of message
0030	5	<b>DTM</b>	M	10	1	Document date and time
0030	6	<b>DTM</b>	R	10	1	Delivery Date
0050	7	<b>MEA</b>	O	5	1	Total gross weight
0050	8	<b>MEA</b>	O	5	1	Total net weight
0050	9	<b>MEA</b>	O	5	1	Total volume
0110		<b>SG2</b>	R	1	1	Buyer
0120	10	<b>NAD</b>	M	1	1	Name and address
0110		<b>SG2</b>	R	1	1	Supplier
0120	11	<b>NAD</b>	M	1	1	Name and address
0390		<b>SG10</b>	R	9999	1	Consignment packaging sequence
0400	12	<b>CPS</b>	M	1	1	Consignment packing sequence
0430		<b>SG11</b>	C	9999	2	PAC-SG13
0440	13	<b>PAC</b>	M	1	2	Package
0500		<b>SG13</b>	C	1000	3	PCI-SG15
0510	14	<b>PCI</b>	M	1	3	Marked packaging with SSCC (NVE)
0570		<b>SG15</b>	O	99	4	GIN
0580	15	<b>GIN</b>	M	1	4	Goods identity number
0650		<b>SG17</b>	R	9999	2	LIN-MEA-MEA-MEA-QTY-DTM-SG18-SG18
0660	16	<b>LIN</b>	M	1	2	Line item
0690	17	<b>MEA</b>	O	10	3	Total gross weight of line item
0690	18	<b>MEA</b>	O	10	3	Total net weight of line item
0690	19	<b>MEA</b>	O	10	3	Total volume of line item
0700	20	<b>QTY</b>	R	1	3	Despatch Quantity
0750	21	<b>DTM</b>	O	5	3	Best Before Date
0820		<b>SG18</b>	R	1	3	Purchase Order Number
0830	22	<b>RFF</b>	M	1	3	Reference
0820		<b>SG18</b>	O	1	3	Batch Number
0830	23	<b>RFF</b>	M	1	3	Reference

Counter = Counter of segment/group within the standard  
 No = Consecutive segment number  
 MaxOcc = Maximum occurrence of the segment/group

St = Status  
 EDIFACT: M=Mandatory, C=Conditional  
 User specific: R=Required, O=Optional, D=Dependent,  
 A=Advised, N=Not used



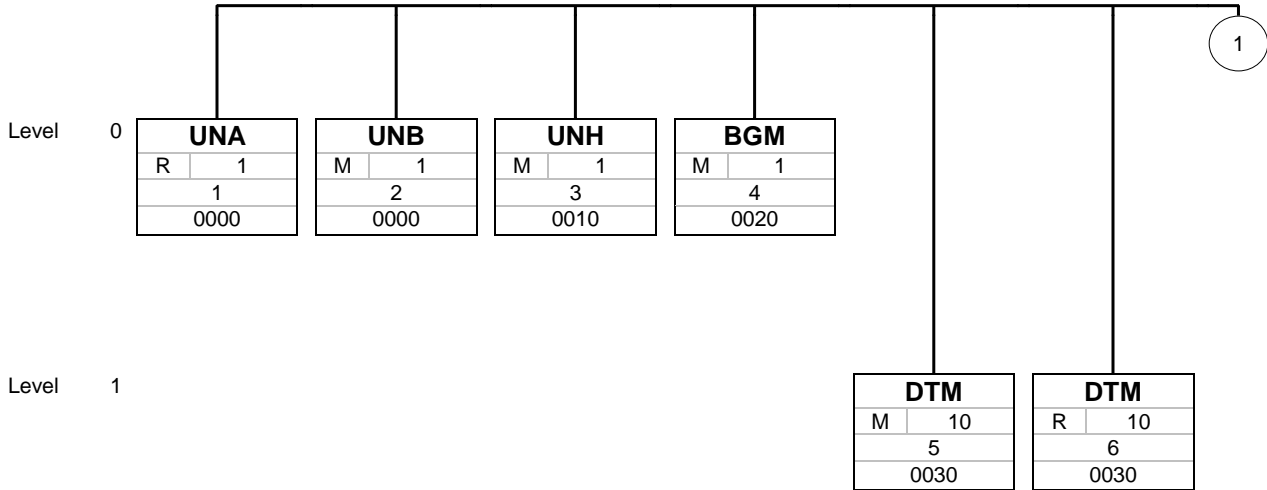
Counter	No	Tag	St	MaxOcc	Level	Content
1140	24	CNT	O	1	1	Total number pallets
1150	25	UNT	M	1	0	Message trailer
0000	26	UNZ	M	1	0	Interchange trailer

Counter = Counter of segment/group within the standard  
 No = Consecutive segment number  
 MaxOcc = Maximum occurrence of the segment/group

St = Status  
 EDIFACT: M=Mandatory, C=Conditional  
 User specific: R=Required, O=Optional, D=Dependent,  
 A=Advised, N=Not used

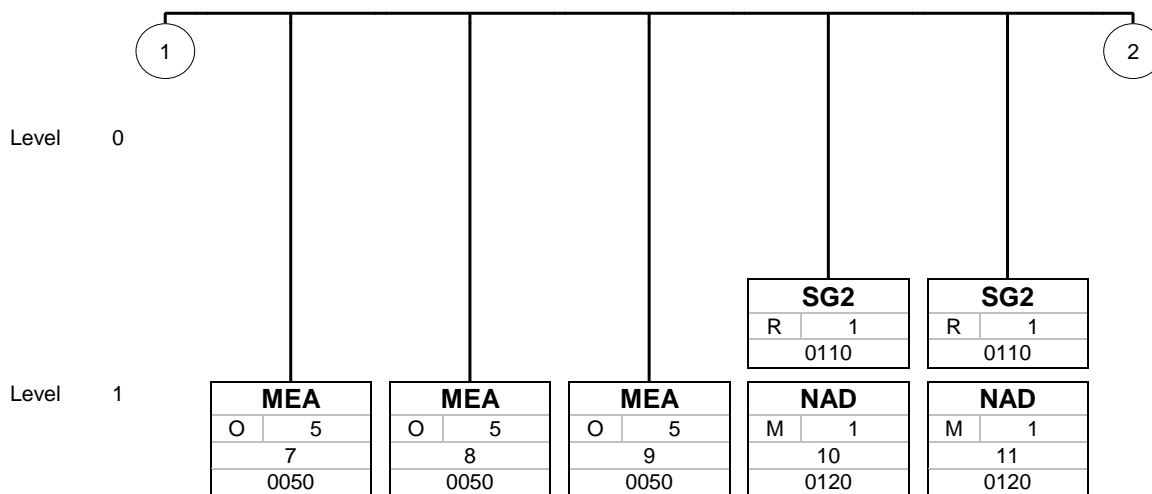


**Branching Diagram of Used Segments/Groups**



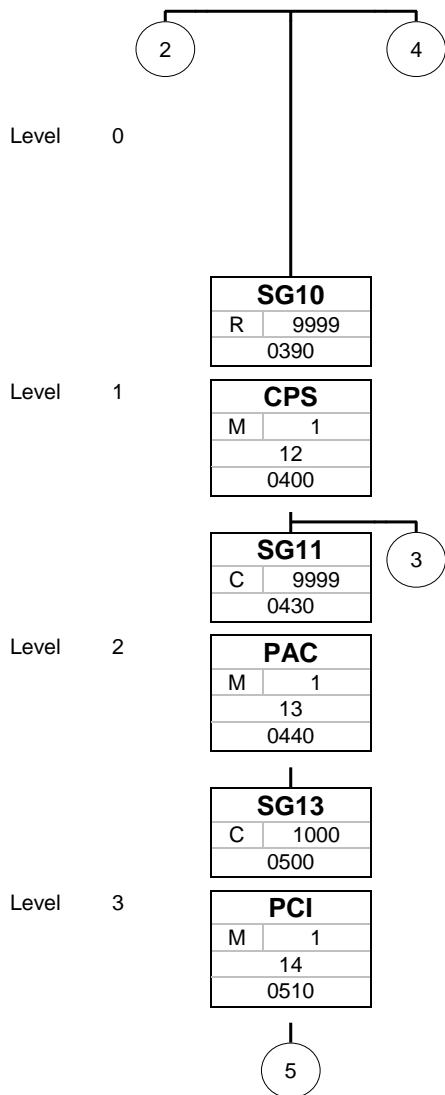
Tag
St MaxOcc
No
Counter

Tag = Segment/Group Tag  
 St = Status (M=Mandatory, C=Conditional, R=Required, O=Optional, A=Advised, D=Dependent)  
 MaxOcc = Maximum occurrence of the segment/group  
 No = Consecutive segment number  
 Counter = Counter of segment/group within the standard



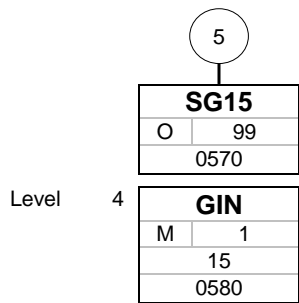
Tag
St MaxOcc
No
Counter

Tag = Segment/Group Tag  
 St = Status (M=Mandatory, C=Conditional, R=Required, O=Optional, A=Advised, D=Dependent)  
 MaxOcc = Maximum occurrence of the segment/group  
 No = Consecutive segment number  
 Counter = Counter of segment/group within the standard



Tag
St MaxOcc
No
Counter

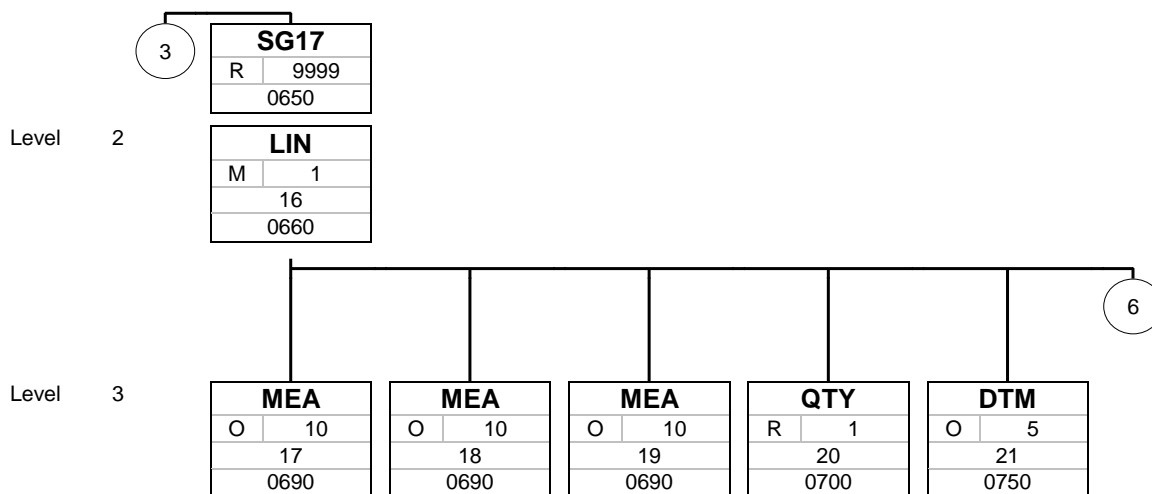
Tag = Segment/Group Tag  
 St = Status (M=Mandatory, C=Conditional, R=Required, O=Optional, A=Advised, D=Dependent)  
 MaxOcc = Maximum occurrence of the segment/group  
 No = Consecutive segment number  
 Counter = Counter of segment/group within the standard



Tag
St MaxOcc
No
Counter

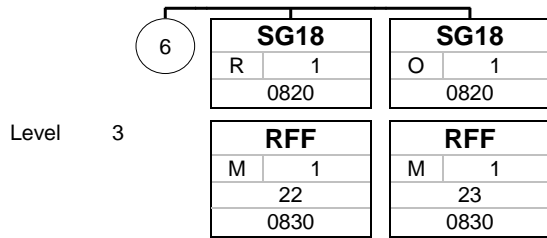
Tag = Segment/Group Tag  
 St = Status (M=Mandatory, C=Conditional, R=Required, O=Optional, A=Advised, D=Dependent)  
 MaxOcc = Maximum occurrence of the segment/group  
 No = Consecutive segment number  
 Counter = Counter of segment/group within the standard





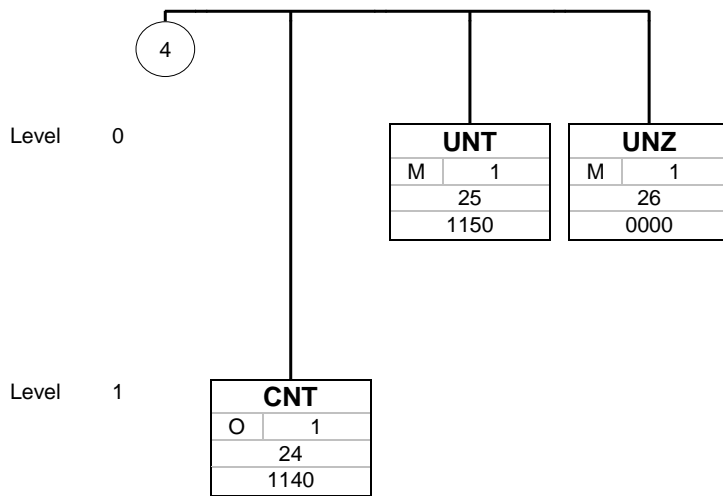
Tag
St MaxOcc
No
Counter

Tag = Segment/Group Tag  
 St = Status (M=Mandatory, C=Conditional, R=Required, O=Optional, A=Advised, D=Dependent)  
 MaxOcc = Maximum occurrence of the segment/group  
 No = Consecutive segment number  
 Counter = Counter of segment/group within the standard



Tag
St MaxOcc
No
Counter

Tag = Segment/Group Tag  
 St = Status (M=Mandatory, C=Conditional, R=Required, O=Optional, A=Advised, D=Dependent)  
 MaxOcc = Maximum occurrence of the segment/group  
 No = Consecutive segment number  
 Counter = Counter of segment/group within the standard



Tag
St MaxOcc
No
Counter

Tag = Segment/Group Tag  
 St = Status (M=Mandatory, C=Conditional, R=Required, O=Optional, A=Advised, D=Dependent)  
 MaxOcc = Maximum occurrence of the segment/group  
 No = Consecutive segment number  
 Counter = Counter of segment/group within the standard



## Segments

Counter	No	Tag	St	MaxOcc	Level	Name
0000	1	<b>UNA</b>	R	1	0	Service string advice

Standard			Implementation		
Tag	Name	St Format	St Format	Usage / Remark	
UNA					
UNA1	Component data element separator	M an1	M an1	Used as a separator between component data elements contained within a composite data element (default value: ':')	
UNA2	Data element separator	M an1	M an1	Used to separate two simple or composite data elements (default value: '+' )	
UNA3	Decimal notation	M an1	M an1	Used to indicate the character used for decimal notation (default value: '.')	
UNA4	Release indicator	M an1	M an1	Used to restore any service character to its original specification (value: '?').	
UNA5	Reserved for future use	M an1	M an1	(default value: space )	
UNA6	Segment terminator	M an1	M an1	Used to indicate the end of segment data (default value: '')	

**Remark:**

**Example:**

UNA:+. ? ' '

No = Consecutive segment number  
 MaxOcc = Maximum occurrence of the segment/group  
 Counter = Counter of segment/group within the standard

St = Status  
 EDIFACT: M=Mandatory, C=Conditional  
 User specific: R=Required, O=Optional, D=Dependent,  
 A=Advised, N=Not used



Counter	No	Tag	St	MaxOcc	Level	Name
0000	2	<b>UNB</b>	M	1	0	Interchange header

		Standard	Implementation	
Tag	Name	St Format	St Format	Usage / Remark
UNB				
S001	Syntax identifier	M	M	
0001	Syntax identifier	M a4	M a4	UNOC
0002	Syntax version number	M n1	M n1	Syntax Version 3
S002	Interchange sender	M	M	
0004	Sender identification	M an..35	M an..35	Data Sender GLN (n13) 4012345000009
0007	Partner identification code qualifier	C an..4	R an..4	14 = GLN (GS1) 1 = DUNS (Data Universal Numbering System, 9 digits) 9 = DUNS (Data Universal Numbering System with 4 digit suffix) ZZZ = Mutually agreed
0008	Address for reverse routing	C an..14	N	Not used
S003	Interchange recipient	M	M	
0010	Recipient identification	M an..35	M an..35	Data Receiver GLN (n13) 4000004000002
0007	Partner identification code qualifier	C an..4	R an..4	14 = GLN (GS1) 1 = DUNS (Data Universal Numbering System, 9 digits) 9 = DUNS (Data Universal Numbering System with 4 digit suffix) ZZZ = Mutually agreed
0014	Routing address	C an..14	N	Not used
S004	Date/time of preparation	M	M	
0017	Date of preparation	M n6	M n6	YYMMDD
0019	Time of preparation	M n4	M n4	HHMM
0020	Interchange control reference	M an..14	M an..14	Unique reference identifying the interchange. Created by the interchange sender. DE 0020 in UNZ will have the same value.
S005	Recipient's reference, password	C	N	
0022	Recipient's reference/password	M an..14	N	Not used
0025	Recipient's reference/password qualifier	C an2	N	Not used
0026	Application reference	C an..14	N	Message identification if the interchange contains only one type of message. Not used
0029	Processing priority code	C a1	N	Not used
0031	Acknowledgement request	C n1	N	Not used
0032	Communications agreement ID	C an..35	O an..35	EANCOM
0035	Test indicator	C n1	O n1	1 = Test, empty = Production

**Remark:****Example:**

No = Consecutive segment number  
 MaxOcc = Maximum occurrence of the segment/group  
 Counter = Counter of segment/group within the standard

St = Status  
 EDIFACT: M=Mandatory, C=Conditional  
 User specific: R=Required, O=Optional, D=Dependent,  
 A=Advised, N=Not used

DESADV



UNB+UNOC:3+4012345000009:14+4000004000002:14+200203:1156+12345555++++EANCOM+1'

No = Consecutive segment number  
MaxOcc = Maximum occurrence of the segment/group  
Counter = Counter of segment/group within the standard

St = Status  
EDIFACT: M=Mandatory, C=Conditional  
User specific: R=Required, O=Optional, D=Dependent,  
A=Advised, N=Not used



Counter	No	Tag	St	MaxOcc	Level	Name
0010	3	<b>UNH</b>	M	1	0	Message header

		Standard	Implementation	
Tag	Name	St Format	St Format	Usage / Remark
UNH				
0062	Message reference number	M an..14	M an..14	54321 = Sender's unique message reference. Sequence number of messages in the interchange. DE 0062 in UNT will have the same value. Generated by the sender.
S009	Message identifier	M	M	
0065	Message type	M an..6	M an..6	DESADV
0052	Message version number	M an..3	M an..3	D = Draft version /UN/EDIFACT Directory
0054	Message release number	M an..3	M an..3	01B = Release 2001 - B
0051	Controlling agency	M an..2	M an..2	UN = UN/CEFACT
0057	Association assigned code	C an..6	R an..6	EAN011 = GS1 version control number (GS1 Code)
0068	Common access reference	C an..35	O an..3	2.0 ALDI SÜD EDI Release Number
S010	Status of the transfer	C	N	
0070	Sequence of transfers	M n..2	N	Not used
0073	First and last transfer	C a1	N	Not used

**Remark:****Example:**

UNH+54321+DESADV:D:01B:UN:EAN011+2.0'

No = Consecutive segment number  
 MaxOcc = Maximum occurrence of the segment/group  
 Counter = Counter of segment/group within the standard

St = Status  
 EDIFACT: M=Mandatory, C=Conditional  
 User specific: R=Required, O=Optional, D=Dependent,  
 A=Advised, N=Not used



Counter	No	Tag	St	MaxOcc	Level	Name
0020	4	<b>BGM</b>	M	1	0	Beginning of message

		Standard	Implementation	
Tag	Name	St Format	St Format	Usage / Remark
<b>BGM</b>				
C002	Document/message name	C	R	
1001	Document name code	C an..3	R an..3	351 = Despatch advice
1131	Code list identification code	C an..17	N	Not used
3055	Code list responsible agency code	C an..3	D n1	9 = GS1
1000	Document name	C an..35	R an9	WAREHOUSE (Delivery to the Distribution Center)
C106	Document/message identification	C	R	
1004	Document identifier	C an..35	R an..35	DEL12345 = Despatch advice number assigned by document sender.
1056	Version identifier	C an..9	N	Not used
1060	Revision identifier	C an..6	N	Not used
1225	Message function code	C an..3	R n1	9 = Original
4343	Response type code	C an..3	N	Not used

**Remark:**

This example identifies the document as being an original despatch advice using the code value 351. The document has the reference number 12345.

**Example:**

BGM+351:::9:WAREHOUSE+DEL12345+9'

No = Consecutive segment number  
 MaxOcc = Maximum occurrence of the segment/group  
 Counter = Counter of segment/group within the standard

St = Status  
 EDIFACT: M=Mandatory, C=Conditional  
 User specific: R=Required, O=Optional, D=Dependent,  
 A=Advised, N=Not used





Counter	No	Tag	St	MaxOcc	Level	Name
---------	----	-----	----	--------	-------	------

0030	5	<b>DTM</b>	M	10	1	Document date and time
------	---	------------	---	----	---	------------------------

Standard			Implementation	
Tag	Name	St Format	St Format	Usage / Remark
DTM				
C507	Date/time/period	M	M	
2005	Date or time or period function code qualifier	M an..3	M n3	137 = Document/message date/time
2380	Date or time or period value	C an..35	R n8	20200203
2379	Date or time or period format code	C an..3	R n3	102 = CCYYMMDD

**Remark:**

The document date is he 3rd of February 2020.

**Example:**

DTM+137:20200203:102'

No = Consecutive segment number  
 MaxOcc = Maximum occurrence of the segment/group  
 Counter = Counter of segment/group within the standard

St = Status  
 EDIFACT: M=Mandatory, C=Conditional  
 User specific: R=Required, O=Optional, D=Dependent,  
 A=Advised, N=Not used



Counter	No	Tag	St	MaxOcc	Level	Name
---------	----	-----	----	--------	-------	------

0030	6	<b>DTM</b>	R	10	1	Delivery Date
------	---	------------	---	----	---	---------------

Standard			Implementation	
Tag	Name	St Format	St Format	Usage / Remark
DTM				
C507	Date/time/period	M	M	
2005	Date or time or period function code qualifier	M an..3	M n3	191 =Delivery date, expected
2380	Date or time or period value	C an..35	R n8	20200203
2379	Date or time or period format code	C an..3	R n3	102 = CCYYMMDD

**Remark:**

The expected delivery date is the 3rd of February 2020.

**Example:**

DTM+191:20200203:102'

No = Consecutive segment number  
 MaxOcc = Maximum occurrence of the segment/group  
 Counter = Counter of segment/group within the standard

St = Status  
 EDIFACT: M=Mandatory, C=Conditional  
 User specific: R=Required, O=Optional, D=Dependent,  
 A=Advised, N=Not used



Counter	No	Tag	St	MaxOcc	Level	Name
0050	7	<b>MEA</b>	O	5	1	Total gross weight

		Standard	Implementation	
Tag	Name	St Format	St Format	Usage / Remark
MEA				
6311	Measurement purpose code qualifier	M an..3	M an..3	PD = Physical dimensions (product ordered)
C502	Measurement details	C	R	
6313	Measured attribute code	C an..3	R an..3	AAD = Total gross weight
6321	Measurement significance code	C an..3	N	Not used
6155	Non-discrete measurement name code	C an..17	N	Not used
6154	Non-discrete measurement name	C an..70	N	Not used
C174	Value/range	C	R	
6411	Measurement unit code	M an..3	M an..3	Please refer to external codelist for permitted values. (ISO Unit of Measure Codes) KGM
6314	Measurement value	C an..18	R n..15	21.000
6162	Range minimum value	C n..18	N	Not used
6152	Range maximum value	C n..18	N	Not used
6432	Significant digits quantity	C n..2	N	Not used
7383	Surface or layer code	C an..3	N	Not used

**Remark:**

This segment is used to specify the physical measurements of weight and volume, and/or storage limitations of the entire shipment.  
21.000

**Example:**

MEA+PD+AAD+KGM:21.000'

No = Consecutive segment number  
MaxOcc = Maximum occurrence of the segment/group  
Counter = Counter of segment/group within the standard

St = Status  
EDIFACT: M=Mandatory, C=Conditional  
User specific: R=Required, O=Optional, D=Dependent,  
A=Advised, N=Not used



Counter	No	Tag	St	MaxOcc	Level	Name
0050	8	<b>MEA</b>	O	5	1	Total net weight

		Standard	Implementation	
Tag	Name	St Format	St Format	Usage / Remark
MEA				
6311	Measurement purpose code qualifier	M an..3	M an..3	PD = Physical dimensions (product ordered)
C502	Measurement details	C	R	
6313	Measured attribute code	C an..3	R an..3	AAC = Total net weight
6321	Measurement significance code	C an..3	N	Not used
6155	Non-discrete measurement name code	C an..17	N	Not used
6154	Non-discrete measurement name	C an..70	N	Not used
C174	Value/range	C	R	
6411	Measurement unit code	M an..3	M an..3	Please refer to external codelist for permitted values. (ISO Unit of Measure Codes) KGM
6314	Measurement value	C an..18	R n..15	21.000
6162	Range minimum value	C n..18	N	Not used
6152	Range maximum value	C n..18	N	Not used
6432	Significant digits quantity	C n..2	N	Not used
7383	Surface or layer code	C an..3	N	Not used

**Remark:**

This segment is used to specify the physical measurements of weight and volume, and/or storage limitations of the entire shipment.  
21.000

**Example:**

MEA+PD+AAC+KGM:21.000'

No = Consecutive segment number  
MaxOcc = Maximum occurrence of the segment/group  
Counter = Counter of segment/group within the standard

St = Status  
EDIFACT: M=Mandatory, C=Conditional  
User specific: R=Required, O=Optional, D=Dependent,  
A=Advised, N=Not used



Counter	No	Tag	St	MaxOcc	Level	Name
0050	9	<b>MEA</b>	O	5	1	<b>Total volume</b>

		Standard	Implementation	
Tag	Name	St Format	St Format	Usage / Remark
MEA				
6311	Measurement purpose code qualifier	M an..3	M an..3	PD = Physical dimensions (product ordered)
C502	Measurement details	C	R	
6313	Measured attribute code	C an..3	R an..3	AAW = Gross volume
6321	Measurement significance code	C an..3	N	Not used
6155	Non-discrete measurement name code	C an..17	N	Not used
6154	Non-discrete measurement name	C an..70	N	Not used
C174	Value/range	C	R	
6411	Measurement unit code	M an..3	M an..3	Please refer to external codelist for permitted values. (ISO Unit of Measure Codes) MTQ
6314	Measurement value	C an..18	R n..13	21.000
6162	Range minimum value	C n..18	N	Not used
6152	Range maximum value	C n..18	N	Not used
6432	Significant digits quantity	C n..2	N	Not used
7383	Surface or layer code	C an..3	N	Not used

**Remark:**

This segment is used to specify the physical measurements of weight and volume, and/or storage limitations of the entire shipment.

**Example:**

MEA+PD+AAW+MTQ:21.000'

No = Consecutive segment number  
 MaxOcc = Maximum occurrence of the segment/group  
 Counter = Counter of segment/group within the standard

St = Status  
 EDIFACT: M=Mandatory, C=Conditional  
 User specific: R=Required, O=Optional, D=Dependent,  
 A=Advised, N=Not used



Counter	No	Tag	St	MaxOcc	Level	Name
	0110	<b>SG2</b>	R	1	1	<b>Buyer</b>
	0120	<b>NAD</b>	M	1	1	<b>Name and address</b>

Standard			Implementation	
Tag	Name	St Format	St Format	Usage / Remark
NAD				
3035	Party function code qualifier	M an..3	M an2	BY = Buyer
C082	Party identification details	C	R	
3039	Party identifier	M an..35	M an..35	4099200005010 = (GLN Purchasing organisation)
1131	Code list identification code	C an..17	N	Not used
3055	Code list responsible agency code	C an..3	R an..3	9 = GS1 (GLN) ZZZ = Mutually defined 16 = DUNS
C058	Name and address	C	N	
3124	Name and address description	M an..35	N	Not used
3124	Name and address description	C an..35	N	Not used
3124	Name and address description	C an..35	N	Not used
3124	Name and address description	C an..35	N	Not used
3124	Name and address description	C an..35	N	Not used
C080	Party name	C	N	
3036	Party name	M an..35	N	Not used
3036	Party name	C an..35	N	Not used
3036	Party name	C an..35	N	Not used
3036	Party name	C an..35	N	Not used
3036	Party name	C an..35	N	Not used
3045	Party name format code	C an..3	N	Not used
C059	Street	C	N	
3042	Street and number or post office box identifier	M an..35	N	Not used
3042	Street and number or post office box identifier	C an..35	N	Not used
3042	Street and number or post office box identifier	C an..35	N	Not used
3042	Street and number or post office box identifier	C an..35	N	Not used
3164	City name	C an..35	N	Not used
C819	Country sub-entity details	C	N	
3229	Country sub-entity name code	C an..9	N	Not used
1131	Code list identification code	C an..17	N	Not used
3055	Code list responsible agency code	C an..3	N	Not used
3228	Country sub-entity name	C an..70	N	Not used
3251	Postal identification code	C an..17	N	Not used

No = Consecutive segment number  
 MaxOcc = Maximum occurrence of the segment/group  
 Counter = Counter of segment/group within the standard

St = Status  
 EDIFACT: M=Mandatory, C=Conditional  
 User specific: R=Required, O=Optional, D=Dependent,  
 A=Advised, N=Not used



		Standard		Implementation	
Tag	Name	St Format	St Format	Usage / Remark	
3207	Country name code	C an..3	N	Not used	

**Remark:**

**Example:**

NAD+BY+4099200005010::9'

No = Consecutive segment number  
 MaxOcc = Maximum occurrence of the segment/group  
 Counter = Counter of segment/group within the standard

St = Status  
 EDIFACT: M=Mandatory, C=Conditional  
 User specific: R=Required, O=Optional, D=Dependent,  
 A=Advised, N=Not used



Counter	No	Tag	St	MaxOcc	Level	Name
	0110	<b>SG2</b>	R	1	1	<b>Supplier</b>
	0120	<b>NAD</b>	M	1	1	<b>Name and address</b>

Standard			Implementation	
Tag	Name	St Format	St Format	Usage / Remark
NAD				
3035	Party function code qualifier	M an..3	M an2	SU = Supplier (or Logistics Service Provider)
C082	Party identification details	C	R	
3039	Party identifier	M an..35	M an..35	2201234567897 (For identification of parties it is recommended to use GLN)
1131	Code list identification code	C an..17	N	Not used
3055	Code list responsible agency code	C an..3	R an..3	9 = GS1 (GLN) ZZZ = Mutually defined 16 = DUNS
C058	Name and address	C	N	
3124	Name and address description	M an..35	N	Not used
3124	Name and address description	C an..35	N	Not used
3124	Name and address description	C an..35	N	Not used
3124	Name and address description	C an..35	N	Not used
3124	Name and address description	C an..35	N	Not used
C080	Party name	C	N	
3036	Party name	M an..35	N	Not used
3036	Party name	C an..35	N	Not used
3036	Party name	C an..35	N	Not used
3036	Party name	C an..35	N	Not used
3036	Party name	C an..35	N	Not used
3045	Party name format code	C an..3	N	Not used
C059	Street	C	N	
3042	Street and number or post office box identifier	M an..35	N	Not used
3042	Street and number or post office box identifier	C an..35	N	Not used
3042	Street and number or post office box identifier	C an..35	N	Not used
3042	Street and number or post office box identifier	C an..35	N	Not used
3164	City name	C an..35	N	Not used
C819	Country sub-entity details	C	N	
3229	Country sub-entity name code	C an..9	N	Not used
1131	Code list identification code	C an..17	N	Not used
3055	Code list responsible agency code	C an..3	N	Not used
3228	Country sub-entity name	C an..70	N	Not used

No = Consecutive segment number  
 MaxOcc = Maximum occurrence of the segment/group  
 Counter = Counter of segment/group within the standard

St = Status  
 EDIFACT: M=Mandatory, C=Conditional  
 User specific: R=Required, O=Optional, D=Dependent,  
 A=Advised, N=Not used





		Standard		Implementation	
Tag	Name	St Format	St Format	Usage / Remark	
3251	Postal identification code	C an..17	N	Not used	
3207	Country name code	C an..3	N	Not used	

**Remark:****Example:**

NAD+SU+2201234567897:::9'

No = Consecutive segment number  
 MaxOcc = Maximum occurrence of the segment/group  
 Counter = Counter of segment/group within the standard

St = Status  
 EDIFACT: M=Mandatory, C=Conditional  
 User specific: R=Required, O=Optional, D=Dependent,  
 A=Advised, N=Not used



Counter	No	Tag	St	MaxOcc	Level	Name
0390		<b>SG10</b>	R	9999	1	<b>Consignment packaging sequence</b> CPS+1' Dummy CPS segment (no packaging information available)
0400	12	<b>CPS</b>	M	1	1	<b>Consignment packaging sequence</b>

Standard			Implementation	
Tag	Name	St Format	St Format	Usage / Remark
CPS				
7164	Hierarchical structure level identifier	M an..35	M an..35	1 = First CPS - no parent (shipment level) - CPS+1' 2 = Second CPS - e.g. Pallet - CPS+2+1' (pallet level, parent = shipment) 3 = Third CPS - eg. Carton - CPS+3+2' (cartons, parent = pallet)
7166	Hierarchical structure parent identifier	C an..35	O an..35	1 = Parent Identifier (Hierarchical structure)
7075	Packaging level code	C an..3	N	Not used

**Remark:**

CPS+1' 1st CPS - no parent  
 CPS+2+1' 2nd CPS - first pallet, parent = shipment  
 CPS+3+2' 3rd CPS - cartons, parent = pallet

**Example:**

CPS+1+1'

No = Consecutive segment number  
 MaxOcc = Maximum occurrence of the segment/group  
 Counter = Counter of segment/group within the standard

St = Status  
 EDIFACT: M=Mandatory, C=Conditional  
 User specific: R=Required, O=Optional, D=Dependent,  
 A=Advised, N=Not used



Counter	No	Tag	St	MaxOcc	Level	Name
0430		<b>SG11</b>	C	9999	2	<b>PAC-SG13</b>
0440	13	<b>PAC</b>	M	1	2	<b>Package</b>

		Standard	Implementation	
Tag	Name	St Format	St Format	Usage / Remark
PAC				
7224	Package quantity	C n..8	O n..8	2 = Number of packages
C531	Packaging details	C	N	
7075	Packaging level code	C an..3	N	Not used
7233	Packaging related description code	C an..3	N	Not used
7073	Packaging terms and conditions code	C an..3	N	Not used
C202	Package type	C	O	
7065	Package type description code	C an..17	A an..17	201 = Euro Pallet CS = Case CT = Carton
1131	Code list identification code	C an..17	N	Not used
3055	Code list responsible agency code	C an..3	N	Not used
7064	Type of packages	C an..35	N	Not used
C402	Package type identification	C	N	
7077	Description format code	M an..3	N	Not used
7064	Type of packages	M an..35	N	Not used
7143	Item type identification code	C an..3	N	Not used
7064	Type of packages	C an..35	N	Not used
7143	Item type identification code	C an..3	N	Not used
C532	Returnable package details	C	N	
8395	Returnable package freight payment responsibility code	C an..3	N	Not used
8393	Returnable package load contents code	C an..3	N	Not used

**Remark:****Example:**

PAC+2++201'

No = Consecutive segment number  
 MaxOcc = Maximum occurrence of the segment/group  
 Counter = Counter of segment/group within the standard

St = Status  
 EDIFACT: M=Mandatory, C=Conditional  
 User specific: R=Required, O=Optional, D=Dependent,  
 A=Advised, N=Not used



Counter	No	Tag	St	MaxOcc	Level	Name
	0500	<b>SG13</b>	C	1000	3	<b>PCI-SG15</b>
	0510	<b>PCI</b>	M	1	3	<b>Marked packaging with SSCC (NVE)</b>

Standard			Implementation	
Tag	Name	St Format	St Format	Usage / Remark
PCI				
4233	Marking instructions code	C an..3	R an..3	33E = Marked with serial shipping container code
C210	Marks & labels	C	N	
7102	Shipping marks description	M an..35	N	Not used
7102	Shipping marks description	C an..35	N	Not used
7102	Shipping marks description	C an..35	N	Not used
7102	Shipping marks description	C an..35	N	Not used
7102	Shipping marks description	C an..35	N	Not used
7102	Shipping marks description	C an..35	N	Not used
7102	Shipping marks description	C an..35	N	Not used
7102	Shipping marks description	C an..35	N	Not used
7102	Shipping marks description	C an..35	N	Not used
8275	Container or package contents indicator code	C an..3	N	Not used
C827	Type of marking	C	N	
7511	Marking type code	M an..3	N	Not used
1131	Code list identification code	C an..17	N	Not used
3055	Code list responsible agency code	C an..3	N	Not used

**Remark:****Example:**

PCI+33E'

No = Consecutive segment number  
 MaxOcc = Maximum occurrence of the segment/group  
 Counter = Counter of segment/group within the standard

St = Status  
 EDIFACT: M=Mandatory, C=Conditional  
 User specific: R=Required, O=Optional, D=Dependent,  
 A=Advised, N=Not used



Counter	No	Tag	St	MaxOcc	Level	Name	
	0570	<b>SG15</b>	O	99	4	<b>GIN</b>	
	0580	15	<b>GIN</b>	M	1	4	<b>Goods identity number</b>

		Standard	Implementation	
Tag	Name	St Format	St Format	Usage / Remark
GIN				
7405	Object identification code qualifier	M an..3	M an..3	BJ = Serial shipping container code (NVE, SSCC)
C208	Identity number range	M	M	
7402	Object identifier	M an..35	M an..35	NVE/SSCC = 123456789012345675
7402	Object identifier	C an..35	N	Not used
C208	Identity number range	C	N	
7402	Object identifier	M an..35	N	Not used
7402	Object identifier	C an..35	N	Not used
C208	Identity number range	C	N	
7402	Object identifier	M an..35	N	Not used
7402	Object identifier	C an..35	N	Not used
C208	Identity number range	C	N	
7402	Object identifier	M an..35	N	Not used
7402	Object identifier	C an..35	N	Not used
C208	Identity number range	C	N	
7402	Object identifier	M an..35	N	Not used
7402	Object identifier	C an..35	N	Not used

**Remark:**

123456789012345675 = NVE/SSCC

**Example:**

GIN+BJ+123456789012345675'

No = Consecutive segment number  
 MaxOcc = Maximum occurrence of the segment/group  
 Counter = Counter of segment/group within the standard

St = Status  
 EDIFACT: M=Mandatory, C=Conditional  
 User specific: R=Required, O=Optional, D=Dependent,  
 A=Advised, N=Not used



Counter	No	Tag	St	MaxOcc	Level	Name	
	0650	<b>SG17</b>	R	9999	2	<b>LIN-MEA-QTY-DTM-SG18</b>	
	0660	16	<b>LIN</b>	M	1	2	<b>Line item</b>

		Standard	Implementation	
Tag	Name	St Format	St Format	Usage / Remark
LIN				
1082	Line item identifier	C an..6	R an..6	Application generated number of the item lines within the despatch advice.
1229	Action request/notification description code	C an..3	N	Not used
C212	Item number identification	C	R	
7140	Item identifier	C an..35	R n..14	40700719670720 = GTIN of the product
7143	Item type identification code	C an..3	R an..3	SRV = GS1 Global Trade Item Number
1131	Code list identification code	C an..17	N	Not used
3055	Code list responsible agency code	C an..3	N	Not used
C829	Sub-line information	C	N	
5495	Sub-line indicator code	C an..3	N	Not used
1082	Line item identifier	C an..6	N	Not used
1222	Configuration level number	C n..2	N	Not used
7083	Configuration operation code	C an..3	N	Not used

**Remark:**

This segment is used to identify the line item being despatched.

**Example:**

LIN+000010++40700719670720:SRV'

No = Consecutive segment number  
 MaxOcc = Maximum occurrence of the segment/group  
 Counter = Counter of segment/group within the standard

St = Status  
 EDIFACT: M=Mandatory, C=Conditional  
 User specific: R=Required, O=Optional, D=Dependent,  
 A=Advised, N=Not used



Counter	No	Tag	St	MaxOcc	Level	Name
0650		<b>SG17</b>	R	9999	2	<b>LIN-MEA-QTY-DTM-SG18</b>
0690	17	<b>MEA</b>	O	10	3	<b>Total gross weight of line item</b>

		Standard	Implementation	
Tag	Name	St Format	St Format	Usage / Remark
MEA				
6311	Measurement purpose code qualifier	M an..3	M an..3	AAE = Measurement
C502	Measurement details	C	R	
6313	Measured attribute code	C an..3	R an..3	AAD = Total gross weight for line item
6321	Measurement significance code	C an..3	N	Not used
6155	Non-discrete measurement name code	C an..17	N	Not used
6154	Non-discrete measurement name	C an..70	N	Not used
C174	Value/range	C	R	
6411	Measurement unit code	M an..3	M an..3	Please refer to external codelist for permitted values. (ISO Unit of Measure Codes) KGM
6314	Measurement value	C an..18	R n..15	
6162	Range minimum value	C n..18	N	Not used
6152	Range maximum value	C n..18	N	Not used
6432	Significant digits quantity	C n..2	N	Not used
7383	Surface or layer code	C an..3	N	Not used

**Remark:****Example:**

MEA+AAE+AAD+KGM:21.000'

No = Consecutive segment number  
 MaxOcc = Maximum occurrence of the segment/group  
 Counter = Counter of segment/group within the standard

St = Status  
 EDIFACT: M=Mandatory, C=Conditional  
 User specific: R=Required, O=Optional, D=Dependent,  
 A=Advised, N=Not used



Counter	No	Tag	St	MaxOcc	Level	Name
	0650	<b>SG17</b>	R	9999	2	<b>LIN-MEA-QTY-DTM-SG18</b>
	0690	18 <b>MEA</b>	O	10	3	<b>Total net weight of line item</b>

		Standard	Implementation	
Tag	Name	St Format	St Format	Usage / Remark
MEA				
6311	Measurement purpose code qualifier	M an..3	M an..3	AAE = Measurement
C502	Measurement details	C	R	
6313	Measured attribute code	C an..3	R an..3	AAC = Total net weight for line item
6321	Measurement significance code	C an..3	N	Not used
6155	Non-discrete measurement name code	C an..17	N	Not used
6154	Non-discrete measurement name	C an..70	N	Not used
C174	Value/range	C	R	
6411	Measurement unit code	M an..3	M an..3	Please refer to external codelist for permitted values. (ISO Unit of Measure Codes) KGM
6314	Measurement value	C an..18	R n..13	
6162	Range minimum value	C n..18	N	Not used
6152	Range maximum value	C n..18	N	Not used
6432	Significant digits quantity	C n..2	N	Not used
7383	Surface or layer code	C an..3	N	Not used

**Remark:****Example:**

MEA+AAE+AAC+KGM:21.000'

No = Consecutive segment number  
 MaxOcc = Maximum occurrence of the segment/group  
 Counter = Counter of segment/group within the standard

St = Status  
 EDIFACT: M=Mandatory, C=Conditional  
 User specific: R=Required, O=Optional, D=Dependent,  
 A=Advised, N=Not used





Counter	No	Tag	St	MaxOcc	Level	Name
	0650	<b>SG17</b>	R	9999	2	<b>LIN-MEA-QTY-DTM-SG18</b>
	0690	<b>MEA</b>	O	10	3	<b>Total volume of line item</b>

		Standard	Implementation	
Tag	Name	St Format	St Format	Usage / Remark
MEA				
6311	Measurement purpose code qualifier	M an..3	M an..3	AAE = Measurement
C502	Measurement details	C	R	
6313	Measured attribute code	C an..3	R an..3	AAW = Gross volume for line item
6321	Measurement significance code	C an..3	N	Not used
6155	Non-discrete measurement name code	C an..17	N	Not used
6154	Non-discrete measurement name	C an..70	N	Not used
C174	Value/range	C	R	
6411	Measurement unit code	M an..3	M an..3	Please refer to external codelist for permitted values. (ISO Unit of Measure Codes) MTQ
6314	Measurement value	C an..18	R n..13	
6162	Range minimum value	C n..18	N	Not used
6152	Range maximum value	C n..18	N	Not used
6432	Significant digits quantity	C n..2	N	Not used
7383	Surface or layer code	C an..3	N	Not used

**Remark:****Example:**

MEA+AAE+AAW+MTQ:21.000'

No = Consecutive segment number  
 MaxOcc = Maximum occurrence of the segment/group  
 Counter = Counter of segment/group within the standard

St = Status  
 EDIFACT: M=Mandatory, C=Conditional  
 User specific: R=Required, O=Optional, D=Dependent,  
 A=Advised, N=Not used



Counter	No	Tag	St	MaxOcc	Level	Name
	0650	<b>SG17</b>	R	9999	2	<b>LIN-MEA-QTY-DTM-SG18</b>
	0700	<b>QTY</b>	R	1	3	<b>Despatch Quantity</b>

Standard			Implementation	
Tag	Name	St Format	St Format	Usage / Remark
QTY				
C186	Quantity details	M	M	
6063	Quantity type code qualifier	M an..3	M an..3	12 = Despatch quantity
6060	Quantity	M an..35	M n..13	21.000 (Zero quantity 0.000 is not allowed for Warehouse)
6411	Measurement unit code	C an..3	N	Not used

**Remark:**

This segment is used to specify the quantity of the product identified in the LIN segment which is about to be, or, has been despatched.

**Example:**

QTY+12:21.000'

No = Consecutive segment number  
 MaxOcc = Maximum occurrence of the segment/group  
 Counter = Counter of segment/group within the standard

St = Status  
 EDIFACT: M=Mandatory, C=Conditional  
 User specific: R=Required, O=Optional, D=Dependent,  
 A=Advised, N=Not used



Counter	No	Tag	St	MaxOcc	Level	Name
0650		<b>SG17</b>	R	9999	2	<b>LIN-MEA-QTY-DTM-SG18</b>
0750	21	<b>DTM</b>	O	5	3	<b>Best Before Date</b>

Standard			Implementation	
Tag	Name	St Format	St Format	Usage / Remark
DTM				
C507	Date/time/period	M	M	
2005	Date or time or period function code qualifier	M an..3	M n3	361 = Best before date
2380	Date or time or period value	C an..35	R n8	20200203
2379	Date or time or period format code	C an..3	R n3	102 = CCYYMMDD

**Remark:**

**Example:**

DTM+361:20200203:102'

No = Consecutive segment number  
 MaxOcc = Maximum occurrence of the segment/group  
 Counter = Counter of segment/group within the standard

St = Status  
 EDIFACT: M=Mandatory, C=Conditional  
 User specific: R=Required, O=Optional, D=Dependent,  
 A=Advised, N=Not used



Counter	No	Tag	St	MaxOcc	Level	Name	
	0820	<b>SG18</b>	R	1	3	<b>Purchase Order Number</b>	
	0830	22	<b>RFF</b>	M	1	3	<b>Reference</b>

Standard			Implementation	
Tag	Name	St Format	St Format	Usage / Remark
RFF				
C506	Reference	M	M	
1153	Reference code qualifier	M an..3	M an..3	ON = Order number (buyer)
1154	Reference identifier	C an..70	R an..35	10001 = Purchase order number
1156	Document line identifier	C an..6	R n5	00010 = Line item number of Purchase order
4000	Reference version identifier	C an..35	N	Not used
1060	Revision identifier	C an..6	N	Not used

**Remark:**

This segment is used to specify any references which are for the line item only.

**Example:**

RFF+ON:10001:00010'

No = Consecutive segment number  
 MaxOcc = Maximum occurrence of the segment/group  
 Counter = Counter of segment/group within the standard

St = Status  
 EDIFACT: M=Mandatory, C=Conditional  
 User specific: R=Required, O=Optional, D=Dependent,  
 A=Advised, N=Not used



Counter	No	Tag	St	MaxOcc	Level	Name
	0820	<b>SG18</b>	O	1	3	<b>Batch Number</b>
	0830	<b>RFF</b>	M	1	3	<b>Reference</b>

Standard			Implementation	
Tag	Name	St Format	St Format	Usage / Remark
RFF				
C506	Reference	M	M	
1153	Reference code qualifier	M an..3	M an..3	BT = Batch number
1154	Reference identifier	C an..70	R an..15	67890 = Batch number
1156	Document line identifier	C an..6	N	Not used
4000	Reference version identifier	C an..35	N	Not used
1060	Revision identifier	C an..6	N	Not used

**Remark:**

This segment is used to specify any references which are for the line item only.

**Example:**

RFF+BT: 67890'

No = Consecutive segment number  
 MaxOcc = Maximum occurrence of the segment/group  
 Counter = Counter of segment/group within the standard

St = Status  
 EDIFACT: M=Mandatory, C=Conditional  
 User specific: R=Required, O=Optional, D=Dependent,  
 A=Advised, N=Not used



Counter	No	Tag	St	MaxOcc	Level	Name
1140	24	<b>CNT</b>	O	1	1	Total number pallets

		Standard	Implementation		
Tag	Name	St Format	St Format	Usage / Remark	
CNT					
C270	Control	M	M		
6069	Control total type code qualifier	M an..3	M an..3	38E = Total number of pallets	
6066	Control total value	M n..18	M n..5	21 = Total number of pallets	
6411	Measurement unit code	C an..3	N	Not used	

**Remark:**

This segment is used to provide message control information for checking on the message receiver's in-house system.

**Example:**

CNT+38E:21'

No = Consecutive segment number  
 MaxOcc = Maximum occurrence of the segment/group  
 Counter = Counter of segment/group within the standard

St = Status  
 EDIFACT: M=Mandatory, C=Conditional  
 User specific: R=Required, O=Optional, D=Dependent,  
 A=Advised, N=Not used



Counter	No	Tag	St	MaxOcc	Level	Name
1150	25	<b>UNT</b>	M	1	0	Message trailer

Standard			Implementation	
Tag	Name	St Format	St Format	Usage / Remark
UNT				
0074	Number of segments in the message	M n..6	M n..6	The total number of segments in the message is detailed here.
0062	Message reference number	M an..14	M an..14	The message reference number detailed here should be equal the one specified in the UNH segment.

**Remark:****Example:**

UNT+23+54321 '

No = Consecutive segment number  
 MaxOcc = Maximum occurrence of the segment/group  
 Counter = Counter of segment/group within the standard

St = Status  
 EDIFACT: M=Mandatory, C=Conditional  
 User specific: R=Required, O=Optional, D=Dependent,  
 A=Advised, N=Not used



Counter	No	Tag	St	MaxOcc	Level	Name
0000	26	<b>UNZ</b>	M	1	0	Interchange trailer

Standard			Implementation	
Tag	Name	St Format	St Format	Usage / Remark
UNZ				
0036	Interchange control count	M n..6	M n..6	Number of messages or functional groups within an interchange.
0020	Interchange control reference	M an..14	M an..14	Identical to DE 0020 in UNB segment.

**Remark:**

Interchange trailer

**Example:**

UNZ+1+12345555 '

No = Consecutive segment number  
 MaxOcc = Maximum occurrence of the segment/group  
 Counter = Counter of segment/group within the standard

St = Status  
 EDIFACT: M=Mandatory, C=Conditional  
 User specific: R=Required, O=Optional, D=Dependent,  
 A=Advised, N=Not used





## Example Message

No	Tag	Example
01	UNA	UNA:+.? '
02	UNB	UNB+UNOC:3+4012345000009:14+4000004000002:14+200203:1156+12345555++++ EANCOM+1 '
03	UNH	UNH+54321+DESADV:D:01B:UN:EAN011+2.0 '
04	BGM	BGM+351::9:WAREHOUSE+DEL12345+9 '
05	DTM	DTM+137:20200203:102 '
06	DTM	DTM+191:20200203:102 '
07	MEA	MEA+PD+AAD+KGM:21.000 '
08	MEA	MEA+PD+AAC+KGM:21.000 '
09	MEA	MEA+PD+AAW+MTQ:21.000 '
<b>SG2</b>		
10	NAD	NAD+BY+4099200005010::9 '
<b>SG2</b>		
11	NAD	NAD+SU+2201234567897::9 '
<b>SG10</b>		
12	CPS	CPS+1+1 '
<b>SG11</b>		
13	PAC	PAC+2++201 '
<b>SG13</b>		
14	PCI	PCI+33E '
<b>SG15</b>		
15	GIN	GIN+BJ+123456789012345675 '
<b>SG17</b>		
16	LIN	LIN+000010++40700719670720:SRV '
17	MEA	MEA+AAE+AAD+KGM:21.000 '
18	MEA	MEA+AAE+AAC+KGM:21.000 '
19	MEA	MEA+AAE+AAW+MTQ:21.000 '
20	QTY	QTY+12:21.000 '
21	DTM	DTM+361:20200203:102 '
<b>SG18</b>		

No = Consecutive segment number



No	Tag	Example
22	RFF	RFF+ON:10001:00010'
	<b>SG18</b>	
23	RFF	RFF+BT:67890'
24	CNT	CNT+38E:21'
25	UNT	UNT+23+54321'
26	UNZ	UNZ+1+12345555'

No = Consecutive segment number