



Message Implementation Guideline

DESADV

based on

DESADV

Despatch advice message

EANCOM® 2002 S3

Version: 2.0
Variant: AHEAD Dropship_Trackinglevel-Structure
Issue date: 04.02.2020
Author: ALDI SOUTH Group

ALDI SOUTH Group DESADV Dropship

1 Message Structure.....	3
2 Branching Diagram	4
3 Segments	9
4 Example	29



Structure / Table of Contents

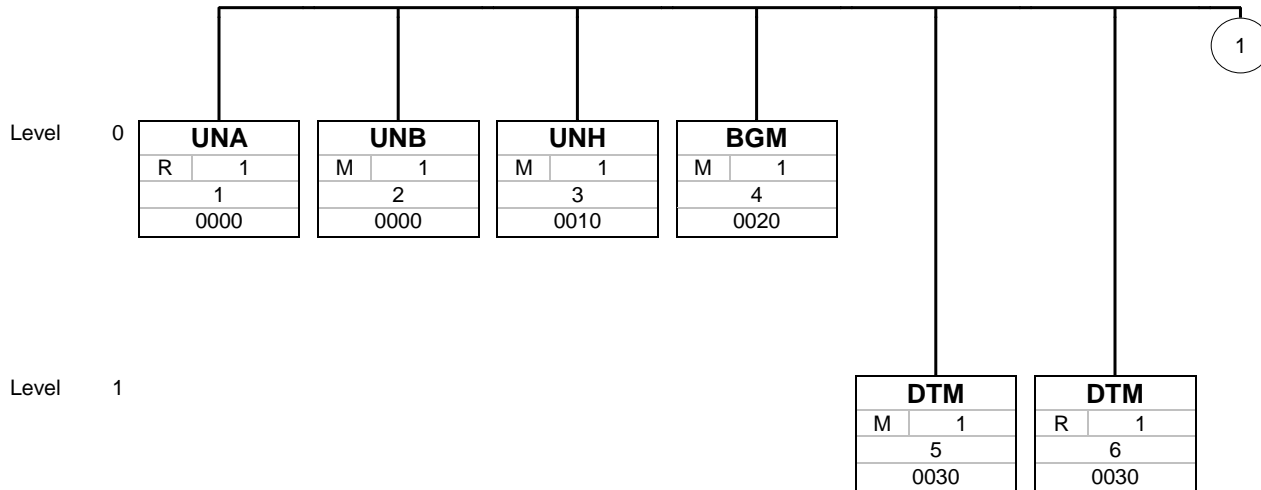
Counter	No	Tag	St	MaxOcc	Level	Content
0000	1	UNA	R	1	0	Service string advice
0000	2	UNB	M	1	0	Interchange header
0010	3	UNH	M	1	0	Message header
0020	4	BGM	M	1	0	Beginning of message
0030	5	DTM	M	1	1	Document date and time
0030	6	DTM	R	1	1	Collection Date is the 03rd of February 2020.
0110		SG2	R	1	1	Buyer
0120	7	NAD	M	1	1	Name and address
0110		SG2	R	1	1	Supplier
0120	8	NAD	M	1	1	Name and address
0390		SG10	R	9999	1	CPS-SG11-SG17
0400	9	CPS	M	1	1	Consignment packing sequence
0430		SG11	C	9999	2	PAC-SG13
0440	10	PAC	M	1	2	Package
0500		SG13	C	1000	3	PCI-SG15
0510	11	PCI	M	1	3	Package identification
0570		SG15	O	99	4	GIN
0580	12	GIN	M	1	4	Goods identity number
0650		SG17	R	9999	2	LIN-QTY-SG18-SG18
0660	13	LIN	M	1	2	Line item
0700	14	QTY	R	1	3	Quantity
0820		SG18	R	1	3	Order Number
0830	15	RFF	M	1	3	Reference
0820		SG18	O	1	3	Carrier Reference
0830	16	RFF	M	1	3	Reference
1150	17	UNT	M	1	0	Message trailer
0000	18	UNZ	M	1	0	Interchange trailer

Counter = Counter of segment/group within the standard
 No = Consecutive segment number
 MaxOcc = Maximum occurrence of the segment/group

St = Status
 EDIFACT: M=Mandatory, C=Conditional
 User specific: R=Required, O=Optional, D=Dependent,
 A=Advised, N=Not used

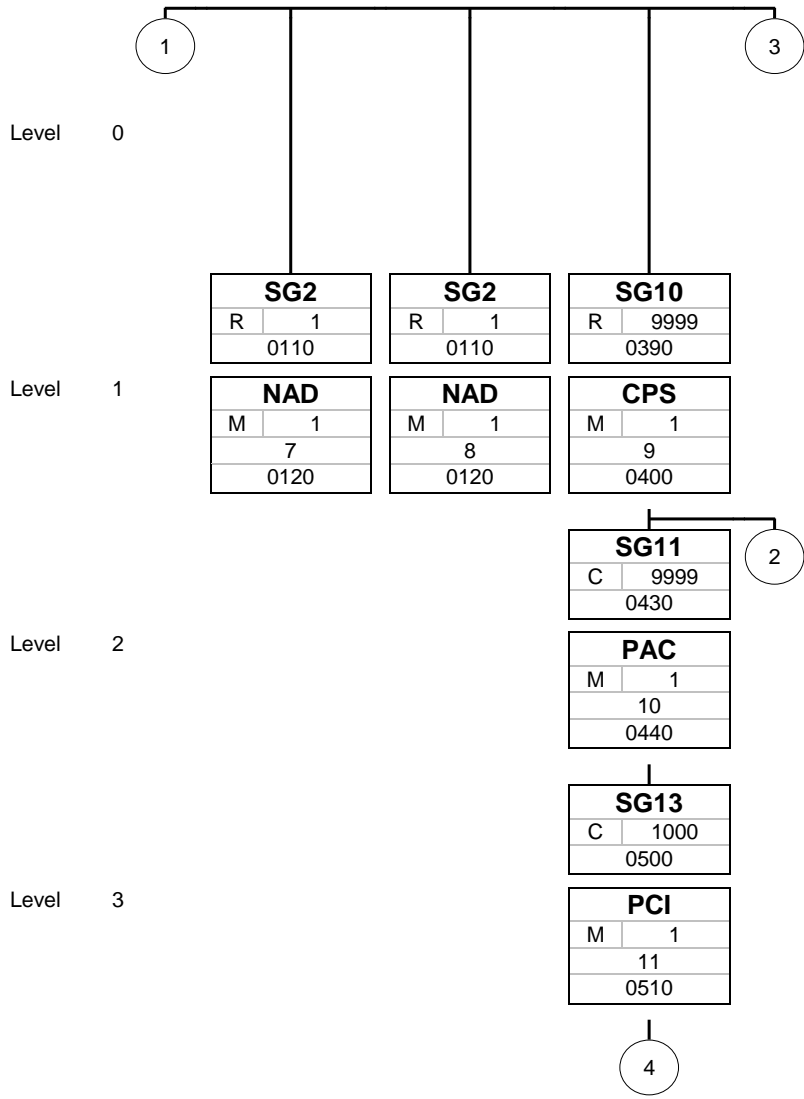


Branching Diagram of Used Segments/Groups



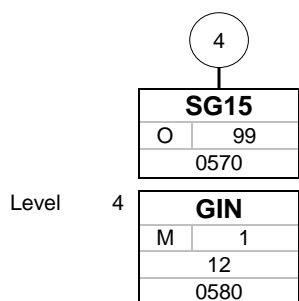
Tag
St MaxOcc
No
Counter

Tag = Segment/Group Tag
 St = Status (M=Mandatory, C=Conditional, R=Required, O=Optional, A=Advised, D=Dependent)
 MaxOcc = Maximum occurrence of the segment/group
 No = Consecutive segment number
 Counter = Counter of segment/group within the standard



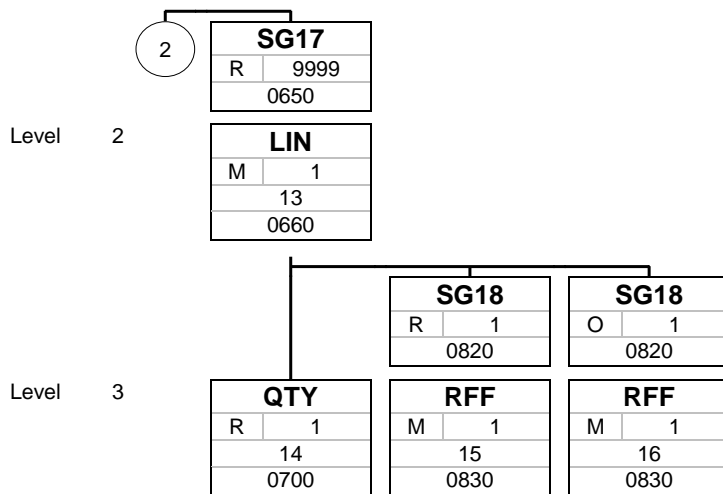
Tag
St MaxOcc
No
Counter

Tag = Segment/Group Tag
 St = Status (M=Mandatory, C=Conditional, R=Required, O=Optional, A=Advised, D=Dependent)
 MaxOcc = Maximum occurrence of the segment/group
 No = Consecutive segment number
 Counter = Counter of segment/group within the standard



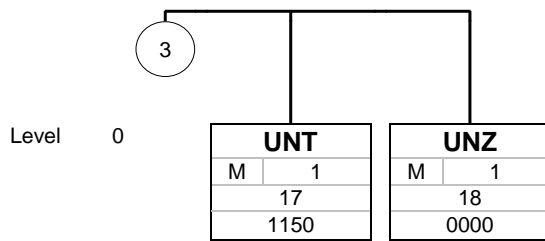
Tag
St MaxOcc
No
Counter

Tag = Segment/Group Tag
 St = Status (M=Mandatory, C=Conditional, R=Required, O=Optional, A=Advised, D=Dependent)
 MaxOcc = Maximum occurrence of the segment/group
 No = Consecutive segment number
 Counter = Counter of segment/group within the standard



Tag
St MaxOcc
No
Counter

Tag = Segment/Group Tag
 St = Status (M=Mandatory, C=Conditional, R=Required, O=Optional, A=Advised, D=Dependent)
 MaxOcc = Maximum occurrence of the segment/group
 No = Consecutive segment number
 Counter = Counter of segment/group within the standard



Tag
St MaxOcc
No
Counter

Tag = Segment/Group Tag
 St = Status (M=Mandatory, C=Conditional, R=Required, O=Optional, A=Advised, D=Dependent)
 MaxOcc = Maximum occurrence of the segment/group
 No = Consecutive segment number
 Counter = Counter of segment/group within the standard



Segments

Counter	No	Tag	St	MaxOcc	Level	Name
0000	1	UNA	R	1	0	Service string advice

Standard			Implementation		
Tag	Name	St Format	St Format	Usage / Remark	
UNA					
UNA1	Component data element separator	M an1	M an1	Used as a separator between component data elements contained within a composite data element (default value: ':')	
UNA2	Data element separator	M an1	M an1	Used to separate two simple or composite data elements (default value: '+')	
UNA3	Decimal notation	M an1	M an1	Used to indicate the character used for decimal notation (default value: '.')	
UNA4	Release indicator	M an1	M an1	Used to restore any service character to its original specification (value: '?').	
UNA5	Reserved for future use	M an1	M an1	(default value: space)	
UNA6	Segment terminator	M an1	M an1	Used to indicate the end of segment data (default value: '')	

Remark:

Example:

UNA:+. ? ' '

No = Consecutive segment number
 MaxOcc = Maximum occurrence of the segment/group
 Counter = Counter of segment/group within the standard

St = Status
 EDIFACT: M=Mandatory, C=Conditional
 User specific: R=Required, O=Optional, D=Dependent,
 A=Advised, N=Not used



Counter	No	Tag	St	MaxOcc	Level	Name
0000	2	UNB	M	1	0	Interchange header

		Standard	Implementation	
Tag	Name	St Format	St Format	Usage / Remark
UNB				
S001	Syntax identifier	M	M	
0001	Syntax identifier	M a4	M a4	UNOC
0002	Syntax version number	M n1	M n1	Syntax Version 3
S002	Interchange sender	M	M	
0004	Sender identification	M an..35	M an..35	Data Sender GLN (n13) 4012345000009
0007	Partner identification code qualifier	C an..4	R an..4	14 = GLN (GS1) 1 = DUNS (Data Universal Numbering System, 9 digits) 9 = DUNS (Data Universal Numbering System with 4 digit suffix) ZZZ = Mutually agreed
0008	Address for reverse routing	C an..14	N	Not used
S003	Interchange recipient	M	M	
0010	Recipient identification	M an..35	M an..35	Data Receiver GLN (n13)4000004000002
0007	Partner identification code qualifier	C an..4	R an..4	14 = GLN (GS1) 1 = DUNS (Data Universal Numbering System, 9 digits) 9 = DUNS (Data Universal Numbering System with 4 digit suffix) ZZZ = Mutually agreed
0014	Routing address	C an..14	N	Not used
S004	Date/time of preparation	M	M	
0017	Date of preparation	M n6	M n6	YYMMDD
0019	Time of preparation	M n4	M n4	HHMM
0020	Interchange control reference	M an..14	M an..14	Unique reference identifying the interchange. Created by the interchange sender. DE0020 in UNZ will have the same value
S005	Recipient's reference, password	C	N	
0022	Recipient's reference/password	M an..14	N	Not used
0025	Recipient's reference/password qualifier	C an2	N	Not used
0026	Application reference	C an..14	N	Not used
0029	Processing priority code	C a1	N	Not used
0031	Acknowledgement request	C n1	N	Not used
0032	Communications agreement ID	C an..35	O an..35	EANCOM
0035	Test indicator	C n1	O n1	1 = Test, empty = Production

Remark:**Example:**

UNB+UNOC:3+4012345000009:14+4000004000002:14+200203:1156+12345555+++++EANCOM+1'

No = Consecutive segment number
MaxOcc = Maximum occurrence of the segment/group
Counter = Counter of segment/group within the standard

St = Status
EDIFACT: M=Mandatory, C=Conditional
User specific: R=Required, O=Optional, D=Dependent,
A=Advised, N=Not used



Counter	No	Tag	St	MaxOcc	Level	Name
0010	3	UNH	M	1	0	Message header

		Standard	Implementation	
Tag	Name	St Format	St Format	Usage / Remark
UNH				
0062	Message reference number	M an..14	M an..14	54321 = Sender's unique message reference. Sequence number of messages in the interchange. DE 0062 in UNT will have the same value. Generated by the sender.
S009	Message identifier	M	M	
0065	Message type	M an..6	M an..6	DESADV
0052	Message version number	M an..3	M an..3	D = Draft version /UN/EDIFACT Directory
0054	Message release number	M an..3	M an..3	01B = Release 2001 - B
0051	Controlling agency	M an..2	M an..2	UN = UN/CEFACT
0057	Association assigned code	C an..6	R an..6	EAN011 = GS1 version control number (GS1 Code)
0068	Common access reference	C an..35	O an..3	2.0 ALDI SOUTH Group EDI Release Number
S010	Status of the transfer	C	N	
0070	Sequence of transfers	M n..2	N	Not used
0073	First and last transfer	C a1	N	Not used

Remark:

This segment is used to head, identify and specify a message.

DE's 0065, 0052, 0054, and 0051: Indicate that the message is a UNSM Invoice based on the D.01B directory under the control of the United Nations.

Example:

UNH+54321+DESADV:D:01B:UN:EAN011+2.0'

No = Consecutive segment number
 MaxOcc = Maximum occurrence of the segment/group
 Counter = Counter of segment/group within the standard

St = Status
 EDIFACT: M=Mandatory, C=Conditional
 User specific: R=Required, O=Optional, D=Dependent,
 A=Advised, N=Not used



Counter	No	Tag	St	MaxOcc	Level	Name
0020	4	BGM	M	1	0	Beginning of message

		Standard	Implementation	
Tag	Name	St Format	St Format	Usage / Remark
BGM				
C002	Document/message name	C	R	
1001	Document name code	C an..3	R n3	351 = Despatch advice
1131	Code list identification code	C an..17	N	Not used
3055	Code list responsible agency code	C an..3	D n1	9 = GS1
1000	Document name	C an..35	R an8	DROPSHIP (E-Commerce)
C106	Document/message identification	C	R	
1004	Document identifier	C an..35	R an..35	DEL12345 = Despatch advice number assigned by document sender.
1056	Version identifier	C an..9	N	Not used
1060	Revision identifier	C an..6	N	Not used
1225	Message function code	C an..3	R n1	9 = Original
4343	Response type code	C an..3	N	Not used

Remark:

This segment is used to indicate the type and function of a message and to transmit the identifying number. This example identifies the document as being an original despatch advice using the code value 351. The document has the reference number DEL12345.

Example:

BGM+351:::9:DROPSHIP+DEL12345+9'

No = Consecutive segment number
 MaxOcc = Maximum occurrence of the segment/group
 Counter = Counter of segment/group within the standard

St = Status
 EDIFACT: M=Mandatory, C=Conditional
 User specific: R=Required, O=Optional, D=Dependent,
 A=Advised, N=Not used



Counter	No	Tag	St	MaxOcc	Level	Name
---------	----	-----	----	--------	-------	------

0030	5	DTM	M	1	1	Document date and time
------	---	------------	---	---	---	------------------------

Standard			Implementation	
Tag	Name	St Format	St Format	Usage / Remark
DTM				
C507	Date/time/period	M	M	
2005	Date or time or period function code qualifier	M an..3	M n3	137 = Document/message date/time
2380	Date or time or period value	C an..35	R n8	20200203
2379	Date or time or period format code	C an..3	R n3	102 = CCYYMMDD

Remark:

This segment is used to specify the date of the despatch advice.
The document date is the 3rd of February 2020.

Example:

DTM+137:20200203:102'

No = Consecutive segment number
MaxOcc = Maximum occurrence of the segment/group
Counter = Counter of segment/group within the standard

St = Status
EDIFACT: M=Mandatory, C=Conditional
User specific: R=Required, O=Optional, D=Dependent,
A=Advised, N=Not used



Counter	No	Tag	St	MaxOcc	Level	Name
---------	----	-----	----	--------	-------	------

0030	6	DTM	R	1	1	Collection Date is the 03rd of February 2020.
------	---	------------	---	---	---	---

Standard			Implementation	
Tag	Name	St Format	St Format	Usage / Remark
DTM				
C507	Date/time/period	M	M	
2005	Date or time or period function code qualifier	M an..3	M n3	200 = Collection date of cargo by carrier
2380	Date or time or period value	C an..35	R n8	20200203
2379	Date or time or period format code	C an..3	R n3	102 = CCYYMMDD

Remark:

Example:

DTM+200:20200203:102'

No = Consecutive segment number
 MaxOcc = Maximum occurrence of the segment/group
 Counter = Counter of segment/group within the standard

St = Status
 EDIFACT: M=Mandatory, C=Conditional
 User specific: R=Required, O=Optional, D=Dependent,
 A=Advised, N=Not used



Counter	No	Tag	St	MaxOcc	Level	Name
	0110	SG2	R	1	1	Buyer
	0120	NAD	M	1	1	Name and address

Standard			Implementation	
Tag	Name	St Format	St Format	Usage / Remark
NAD				
3035	Party function code qualifier	M an..3	M an2	BY = Buyer
C082	Party identification details	C	R	
3039	Party identifier	M an..35	M an..35	4099200005010 (GLN Purchasing organisation)
1131	Code list identification code	C an..17	N	Not used
3055	Code list responsible agency code	C an..3	R an..3	9 = GS1 (GLN) ZZZ = Mutually defined 16 = DUNS
C058	Name and address	C	N	
3124	Name and address description	M an..35	N	Not used
3124	Name and address description	C an..35	N	Not used
3124	Name and address description	C an..35	N	Not used
3124	Name and address description	C an..35	N	Not used
3124	Name and address description	C an..35	N	Not used
C080	Party name	C	N	
3036	Party name	M an..35	N	Not used
3036	Party name	C an..35	N	Not used
3036	Party name	C an..35	N	Not used
3036	Party name	C an..35	N	Not used
3036	Party name	C an..35	N	Not used
3045	Party name format code	C an..3	N	Not used
C059	Street	C	N	
3042	Street and number or post office box identifier	M an..35	N	Not used
3042	Street and number or post office box identifier	C an..35	N	Not used
3042	Street and number or post office box identifier	C an..35	N	Not used
3042	Street and number or post office box identifier	C an..35	N	Not used
3164	City name	C an..35	N	Not used
C819	Country sub-entity details	C	N	
3229	Country sub-entity name code	C an..9	N	Not used
1131	Code list identification code	C an..17	N	Not used
3055	Code list responsible agency code	C an..3	N	Not used
3228	Country sub-entity name	C an..70	N	Not used
3251	Postal identification code	C an..17	N	Not used

No = Consecutive segment number
 MaxOcc = Maximum occurrence of the segment/group
 Counter = Counter of segment/group within the standard

St = Status
 EDIFACT: M=Mandatory, C=Conditional
 User specific: R=Required, O=Optional, D=Dependent,
 A=Advised, N=Not used



		Standard		Implementation	
Tag	Name	St Format	St Format	Usage / Remark	
3207	Country name code	C an..3	N	Not used	

Remark:

This segment is used to identify the trading partners involved in the Despatch Advice message. Identification of the supplier and buyer is recommended in the Despatch Advice. Additionally, the shipper and delivery party may be identified when different from the supplier or buyer. The delivery address in NAD is the main delivery address valid for all line items.

Example:

NAD+BY+4099200005010:::9'

No = Consecutive segment number
 MaxOcc = Maximum occurrence of the segment/group
 Counter = Counter of segment/group within the standard

St = Status
 EDIFACT: M=Mandatory, C=Conditional
 User specific: R=Required, O=Optional, D=Dependent,
 A=Advised, N=Not used



Counter	No	Tag	St	MaxOcc	Level	Name
	0110	SG2	R	1	1	Supplier
	0120	NAD	M	1	1	Name and address

Standard			Implementation	
Tag	Name	St Format	St Format	Usage / Remark
NAD				
3035	Party function code qualifier	M an..3	M an..3	SU = Supplier (or Logistics Service Provider)
C082	Party identification details	C	R	
3039	Party identifier	M an..35	M an..35	2201234567897 (For identification of parties it is recommended to use GLN)
1131	Code list identification code	C an..17	N	Not used
3055	Code list responsible agency code	C an..3	R an..3	9 = GS1 (GLN) ZZZ = Mutually defined 16 = DUNS
C058	Name and address	C	N	
3124	Name and address description	M an..35	N	Not used
3124	Name and address description	C an..35	N	Not used
3124	Name and address description	C an..35	N	Not used
3124	Name and address description	C an..35	N	Not used
3124	Name and address description	C an..35	N	Not used
C080	Party name	C	N	
3036	Party name	M an..35	N	Not used
3036	Party name	C an..35	N	Not used
3036	Party name	C an..35	N	Not used
3036	Party name	C an..35	N	Not used
3036	Party name	C an..35	N	Not used
3045	Party name format code	C an..3	N	Not used
C059	Street	C	N	
3042	Street and number or post office box identifier	M an..35	N	Not used
3042	Street and number or post office box identifier	C an..35	N	Not used
3042	Street and number or post office box identifier	C an..35	N	Not used
3042	Street and number or post office box identifier	C an..35	N	Not used
3164	City name	C an..35	N	Not used
C819	Country sub-entity details	C	N	
3229	Country sub-entity name code	C an..9	N	Not used
1131	Code list identification code	C an..17	N	Not used
3055	Code list responsible agency code	C an..3	N	Not used
3228	Country sub-entity name	C an..70	N	Not used

No = Consecutive segment number
 MaxOcc = Maximum occurrence of the segment/group
 Counter = Counter of segment/group within the standard

St = Status
 EDIFACT: M=Mandatory, C=Conditional
 User specific: R=Required, O=Optional, D=Dependent,
 A=Advised, N=Not used



		Standard		Implementation	
Tag	Name	St Format	St Format	Usage / Remark	
3251	Postal identification code	C an..17	N	Not used	
3207	Country name code	C an..3	N	Not used	

Remark:

This segment is used to identify the trading partners involved in the Despatch Advice message. Identification of the supplier and buyer is recommended in the Despatch Advice. Additionally, the shipper and delivery party may be identified when different from the supplier or buyer. The delivery address in NAD is the main delivery address valid for all line items.

Example:

NAD+SU+2201234567897:::9'

No = Consecutive segment number
 MaxOcc = Maximum occurrence of the segment/group
 Counter = Counter of segment/group within the standard

St = Status
 EDIFACT: M=Mandatory, C=Conditional
 User specific: R=Required, O=Optional, D=Dependent,
 A=Advised, N=Not used



Counter	No	Tag	St	MaxOcc	Level	Name
	0390	SG10	R	9999	1	CPS-SG11-SG17
	0400	CPS	M	1	1	Consignment packing sequence

Standard			Implementation	
Tag	Name	St Format	St Format	Usage / Remark
CPS				
7164	Hierarchical structure level identifier	M an..35	M an..35	Sequential numbering recommended. 1 = First CPS - no parent (shipment level) - CPS+1' 2 = Second CPS - e.g. Pallet - CPS+2+1' (pallet level, parent = shipment) 3 = Third CPS - eg. Carton - CPS+3+2' (cartons, parent = pallet)
7166	Hierarchical structure parent identifier	C an..35	C an..35	1 = Pallet identifier (hierarchical structure)
7075	Packaging level code	C an..3	N	Not used

Remark:

This segment is used to identify the sequence in which packing of the consignment occurs.

CPS+1' 1st CPS - no parent

CPS+2+1' 2nd CPS - first pallet, parent = shipment

CPS+3+2' 3rd CPS - cartons, parent = pallet

Example:

CPS+1+1'

No = Consecutive segment number
MaxOcc = Maximum occurrence of the segment/group
Counter = Counter of segment/group within the standard

St = Status
EDIFACT: M=Mandatory, C=Conditional
User specific: R=Required, O=Optional, D=Dependent,
A=Advised, N=Not used



Counter	No	Tag	St	MaxOcc	Level	Name
0430		SG11	C	9999	2	PAC-SG13
0440	10	PAC	M	1	2	Package

		Standard	Implementation	
Tag	Name	St Format	St Format	Usage / Remark
PAC				
7224	Package quantity	C n..8	C n..8	2 = Number of packages
C531	Packaging details	C	N	
7075	Packaging level code	C an..3	N	Not used
7233	Packaging related description code	C an..3	N	Not used
7073	Packaging terms and conditions code	C an..3	N	Not used
C202	Package type	C	C	
7065	Package type description code	C an..17	A an..17	CS = Case CT = Carton
1131	Code list identification code	C an..17	N	Not used
3055	Code list responsible agency code	C an..3	N	Not used
7064	Type of packages	C an..35	N	Not used
C402	Package type identification	C	N	
7077	Description format code	M an..3	N	Not used
7064	Type of packages	M an..35	N	Not used
7143	Item type identification code	C an..3	N	Not used
7064	Type of packages	C an..35	N	Not used
7143	Item type identification code	C an..3	N	Not used
C532	Returnable package details	C	N	
8395	Returnable package freight payment responsibility code	C an..3	N	Not used
8393	Returnable package load contents code	C an..3	N	Not used

Remark:**Example:**

PAC+2++CS'

No = Consecutive segment number
 MaxOcc = Maximum occurrence of the segment/group
 Counter = Counter of segment/group within the standard

St = Status
 EDIFACT: M=Mandatory, C=Conditional
 User specific: R=Required, O=Optional, D=Dependent,
 A=Advised, N=Not used



Counter	No	Tag	St	MaxOcc	Level	Name
0500		SG13	C	1000	3	PCI-SG15
0510	11	PCI	M	1	3	Package identification

Standard			Implementation	
Tag	Name	St Format	St Format	Usage / Remark
PCI				
4233	Marking instructions code	C an..3	R an..3	IEN = Package Identity Number (in this case it is used as tracking ID number)
C210	Marks & labels	C	N	
7102	Shipping marks description	M an..35	N	Not used
7102	Shipping marks description	C an..35	N	Not used
7102	Shipping marks description	C an..35	N	Not used
7102	Shipping marks description	C an..35	N	Not used
7102	Shipping marks description	C an..35	N	Not used
7102	Shipping marks description	C an..35	N	Not used
7102	Shipping marks description	C an..35	N	Not used
7102	Shipping marks description	C an..35	N	Not used
7102	Shipping marks description	C an..35	N	Not used
8275	Container or package contents indicator code	C an..3	N	Not used
C827	Type of marking	C	N	
7511	Marking type code	M an..3	N	Not used
1131	Code list identification code	C an..17	N	Not used
3055	Code list responsible agency code	C an..3	N	Not used

Remark:**Example:**

PCI+IEN'

No = Consecutive segment number
 MaxOcc = Maximum occurrence of the segment/group
 Counter = Counter of segment/group within the standard

St = Status
 EDIFACT: M=Mandatory, C=Conditional
 User specific: R=Required, O=Optional, D=Dependent,
 A=Advised, N=Not used



Counter	No	Tag	St	MaxOcc	Level	Name
	0570	SG15	O	99	4	GIN
	0580	GIN	M	1	4	Goods identity number

		Standard	Implementation	
Tag	Name	St Format	St Format	Usage / Remark
GIN				
7405	Object identification code qualifier	M an..3	M an..3	AW = here used as Tracking ID Supplier
C208	Identity number range	M	M	
7402	Object identifier	M an..35	M an..20	2134124 = Tracking ID
7402	Object identifier	C an..35	N	Not used
C208	Identity number range	C	N	
7402	Object identifier	M an..35	N	Not used
7402	Object identifier	C an..35	N	Not used
C208	Identity number range	C	N	
7402	Object identifier	M an..35	N	Not used
7402	Object identifier	C an..35	N	Not used
C208	Identity number range	C	N	
7402	Object identifier	M an..35	N	Not used
7402	Object identifier	C an..35	N	Not used
C208	Identity number range	C	N	
7402	Object identifier	M an..35	N	Not used
7402	Object identifier	C an..35	N	Not used

Remark:**Example:**

GIN+AW+2134124'

No = Consecutive segment number
 MaxOcc = Maximum occurrence of the segment/group
 Counter = Counter of segment/group within the standard

St = Status
 EDIFACT: M=Mandatory, C=Conditional
 User specific: R=Required, O=Optional, D=Dependent,
 A=Advised, N=Not used



Counter	No	Tag	St	MaxOcc	Level	Name
	0650	SG17	R	9999	2	LIN-QTY-SG18
	0660	LIN	M	1	2	Line item

		Standard	Implementation	
Tag	Name	St Format	St Format	Usage / Remark
LIN				
1082	Line item identifier	C an..6	R an..6	Application generated number of the item lines within the despatch advice.
1229	Action request/notification description code	C an..3	N	Not used
C212	Item number identification	C	R	
7140	Item identifier	C an..35	R n..14	40700719670720 = GTIN of the product
7143	Item type identification code	C an..3	R an..3	SRV = GS1 Global Trade Item Number
1131	Code list identification code	C an..17	N	Not used
3055	Code list responsible agency code	C an..3	N	Not used
C829	Sub-line information	C	N	
5495	Sub-line indicator code	C an..3	N	Not used
1082	Line item identifier	C an..6	N	Not used
1222	Configuration level number	C n..2	N	Not used
7083	Configuration operation code	C an..3	N	Not used

Remark:

This segment is used to identify the line item being despatched.

Example:

LIN+000010++40700719670720:SRV'

No = Consecutive segment number
 MaxOcc = Maximum occurrence of the segment/group
 Counter = Counter of segment/group within the standard

St = Status
 EDIFACT: M=Mandatory, C=Conditional
 User specific: R=Required, O=Optional, D=Dependent,
 A=Advised, N=Not used



Counter	No	Tag	St	MaxOcc	Level	Name
	0650	SG17	R	9999	2	LIN-QTY-SG18
	0700	14 QTY	R	1	3	Quantity

Standard			Implementation	
Tag	Name	St Format	St Format	Usage / Remark
QTY				
C186	Quantity details	M	M	
6063	Quantity type code qualifier	M an..3	M an..3	12 = Despatch quantity
6060	Quantity	M an..35	M n..13	21.000 Quantity with three decimal places (zero (0.000) quantity for dropship is allowed)
6411	Measurement unit code	C an..3	N	Not used

Remark:

This segment is used to specify the quantity of the product identified in the LIN segment which is about to be, or, has been despatched.

Example:

QTY+12:21.000'

No = Consecutive segment number
 MaxOcc = Maximum occurrence of the segment/group
 Counter = Counter of segment/group within the standard

St = Status
 EDIFACT: M=Mandatory, C=Conditional
 User specific: R=Required, O=Optional, D=Dependent,
 A=Advised, N=Not used



Counter	No	Tag	St	MaxOcc	Level	Name
	0820	SG18	R	1	3	Order Number
	0830	15 RFF	M	1	3	Reference

Standard			Implementation	
Tag	Name	St Format	St Format	Usage / Remark
RFF				
C506	Reference	M	M	
1153	Reference code qualifier	M an..3	M an..3	ON = Purchase Order number (buyer)
1154	Reference identifier	C an..70	R an..35	10001 = Purchase Order number of ALDI SOUTH Group
1156	Document line identifier	C an..6	R n5	Line item identifier of purchase order 00020
4000	Reference version identifier	C an..35	N	Not used
1060	Revision identifier	C an..6	N	Not used

Remark:

This segment is used to specify any references which are for the line item only.

Example:

RFF+ON:10001:00010'

No = Consecutive segment number
 MaxOcc = Maximum occurrence of the segment/group
 Counter = Counter of segment/group within the standard

St = Status
 EDIFACT: M=Mandatory, C=Conditional
 User specific: R=Required, O=Optional, D=Dependent,
 A=Advised, N=Not used



Counter	No	Tag	St	MaxOcc	Level	Name	
	0820	SG18	O	1	3	Carrier Reference	
	0830	16	RFF	M	1	3	Reference

Standard			Implementation	
Tag	Name	St Format	St Format	Usage / Remark
RFF				
C506	Reference	M	M	
1153	Reference code qualifier	M an..3	M an..3	CN = Carrier's reference number
1154	Reference identifier	C an..70	R an..40	Carrier Number
1156	Document line identifier	C an..6	N	Not used
4000	Reference version identifier	C an..35	N	Not used
1060	Revision identifier	C an..6	N	Not used

Remark:

This segment is used to specify any references which are for the line item only.

Example:

RFF+CN:12345678'

No = Consecutive segment number
 MaxOcc = Maximum occurrence of the segment/group
 Counter = Counter of segment/group within the standard

St = Status
 EDIFACT: M=Mandatory, C=Conditional
 User specific: R=Required, O=Optional, D=Dependent,
 A=Advised, N=Not used



Counter	No	Tag	St	MaxOcc	Level	Name
1150	17	UNT	M	1	0	Message trailer

Standard			Implementation	
Tag	Name	St Format	St Format	Usage / Remark
UNT				
0074	Number of segments in the message	M n..6	M n..6	The total number of segments in the message is detailed here.
0062	Message reference number	M an..14	M an..14	The message reference number detailed here should be equal the one specified in the UNH segment.

Remark:

This segment is a mandatory UN/EDIFACT segment. It must always be the last segment in the message.

Example:

UNT+15+54321'

No = Consecutive segment number
 MaxOcc = Maximum occurrence of the segment/group
 Counter = Counter of segment/group within the standard

St = Status
 EDIFACT: M=Mandatory, C=Conditional
 User specific: R=Required, O=Optional, D=Dependent,
 A=Advised, N=Not used



Counter	No	Tag	St	MaxOcc	Level	Name
0000	18	UNZ	M	1	0	Interchange trailer

Standard			Implementation	
Tag	Name	St Format	St Format	Usage / Remark
UNZ				
0036	Interchange control count	M n..6	M n..6	Number of messages or functional groups within an interchange.
0020	Interchange control reference	M an..14	M an..14	Identical to DE 0020 in UNB segment.

Remark:

Interchange trailer

Example:

UNZ+1+12345555 '

No = Consecutive segment number
 MaxOcc = Maximum occurrence of the segment/group
 Counter = Counter of segment/group within the standard

St = Status
 EDIFACT: M=Mandatory, C=Conditional
 User specific: R=Required, O=Optional, D=Dependent,
 A=Advised, N=Not used



Example Message

No	Tag	Example
01	UNA	UNA:+.? '
02	UNB	UNB+UNOC:3+4012345000009:14+4000004000002:14+200203:1156+12345555++++ EANCOM+1 '
03	UNH	UNH+54321+DESADV:D:01B:UN:EAN011+2.0 '
04	BGM	BGM+351::9:DROPSHIP+DEL12345+9 '
05	DTM	DTM+137:20200203:102 '
06	DTM	DTM+200:20200203:102 '
	SG2	
07	NAD	NAD+BY+4099200005010::9 '
	SG2	
08	NAD	NAD+SU+2201234567897::9 '
	SG10	
09	CPS	CPS+1+1 '
	SG11	
10	PAC	PAC+2++CS '
	SG13	
11	PCI	PCI+IEN '
	SG15	
12	GIN	GIN+AW+2134124 '
	SG17	
13	LIN	LIN+000010++40700719670720:SRV '
14	QTY	QTY+12:21.000 '
	SG18	
15	RFF	RFF+ON:10001:00010 '
	SG18	
16	RFF	RFF+CN:12345678 '
17	UNT	UNT+15+54321 '
18	UNZ	UNZ+1+12345555 '

No = Consecutive segment number