



Message Implementation Guideline

IFCSUM

based on

IFCSUM

Forwarding and consolidation summary message

EANCOM® 2002 S3

Version: 1.0
Variant: AHEAD Freight Booking Response
Issue date: 03.02.2020

1 Message Structure.....	3
2 Branching Diagram	5
3 Segments	10
4 Example	38



Structure / Table of Contents

Counter	No	Tag	St	MaxOcc	Level	Content
0000	1	UNA	R	1	0	Service string advice
0000	2	UNB	M	1	0	Interchange Header
0010	3	UNH	M	1	0	Message header
0020	4	BGM	M	1	0	Beginning of message
0030	5	DTM	R	9	1	Creation Date
0050	6	FTX	R	99	1	Freight Booking Confirmation
0090		SG1	R	1	1	Reference Freight Booking
0100	7	RFF	M	1	1	Reference
0090		SG1	O	1	1	Bill of Lading
0100	8	RFF	M	1	1	Reference
0090		SG1	O	9	1	Reference Ocean Freight Forwarder
0100	9	RFF	M	1	1	Reference
0090		SG1	O	9	1	Freight Agreement Contract number
0100	10	RFF	M	1	1	Reference
0210		SG4	R	9	1	Carrier
0220	11	NAD	M	1	1	Name and address
0420		SG9	R	9	1	TDT-SG10-SG10
0430	12	TDT	M	1	1	Details of transport
0460		SG10	R	9	2	Main loading port
0470	13	LOC	M	1	2	Main loading port
0480	14	DTM	O	9	3	Date/time/period
0460		SG10	O	9	2	Main unloading port
0470	15	LOC	M	1	2	Main unloading port
0480	16	DTM	O	9	3	Date/time/period
1120		SG25	R	9999	1	CNI-SG50-SG70
1130	17	CNI	M	1	1	Consignment information
2230		SG50	R	999	2	GID-PIA-SG54
2240	18	GID	M	1	2	Goods item details
2310	19	PIA	O	9	3	Additional product id
2440		SG54	O	9	3	Reference Purchase Order Number
2450	20	RFF	O	1	3	Reference

Counter = Counter of segment/group within the standard
 No = Consecutive segment number
 MaxOcc = Maximum occurrence of the segment/group

St = Status
 EDIFACT: M=Mandatory, C=Conditional
 User specific: R=Required, O=Optional, D=Dependent,
 A=Advised, N=Not used



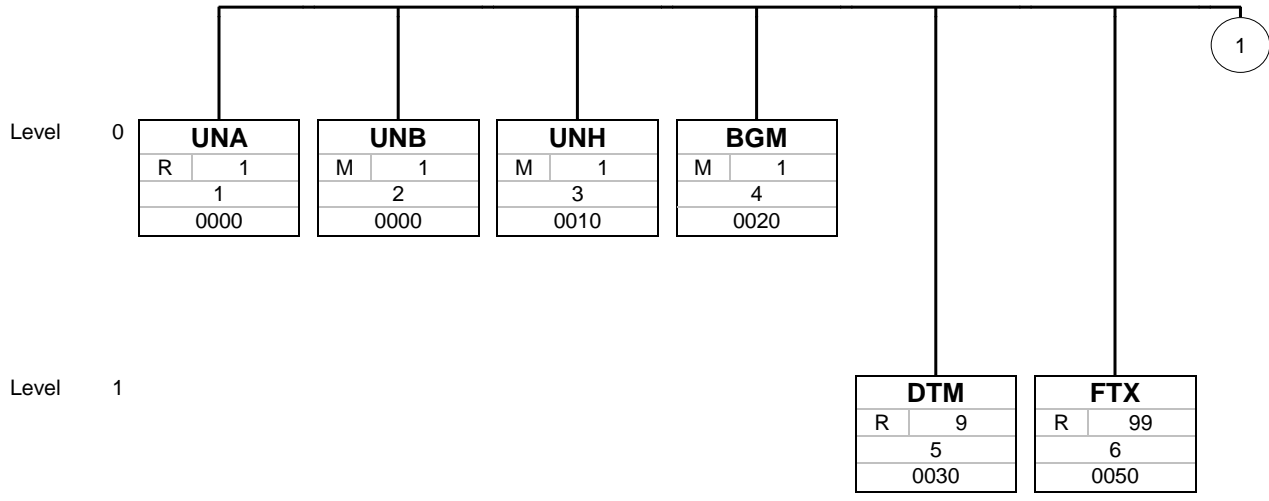
Counter	No	Tag	St	MaxOcc	Level	Content
	3050	SG70	O	1	2	EQD-EQN-SEL
	3060	21 EQD	M	1	2	Equipment details
	3070	22 EQN	M	1	3	Number of units
	3110	23 SEL	O	99	3	Seal number
	3370	24 UNT	M	1	0	Message trailer
	0000	25 UNZ	M	1	0	Interchange trailer

Counter = Counter of segment/group within the standard
 No = Consecutive segment number
 MaxOcc = Maximum occurrence of the segment/group

St = Status
 EDIFACT: M=Mandatory, C=Conditional
 User specific: R=Required, O=Optional, D=Dependent,
 A=Advised, N=Not used

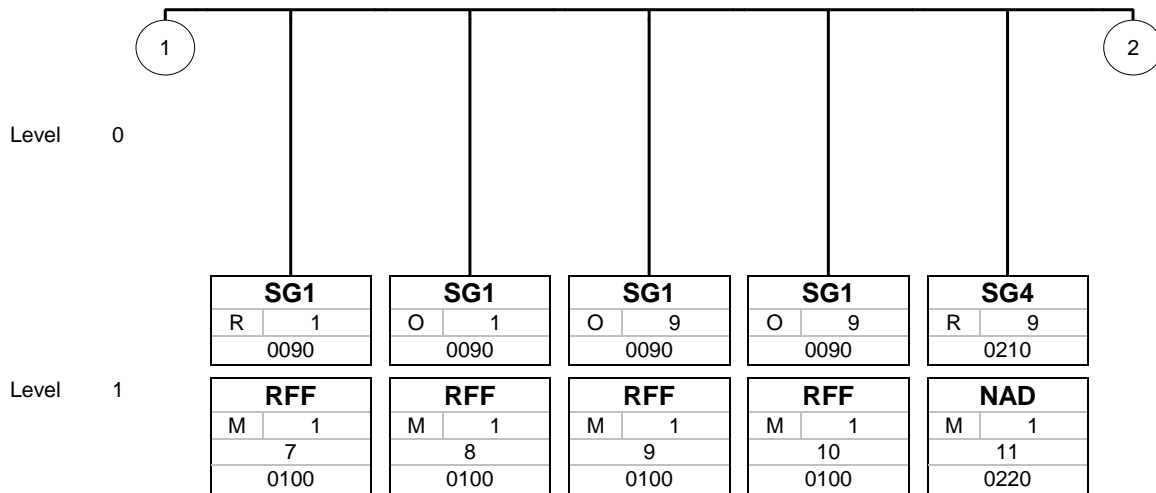


Branching Diagram of Used Segments/Groups



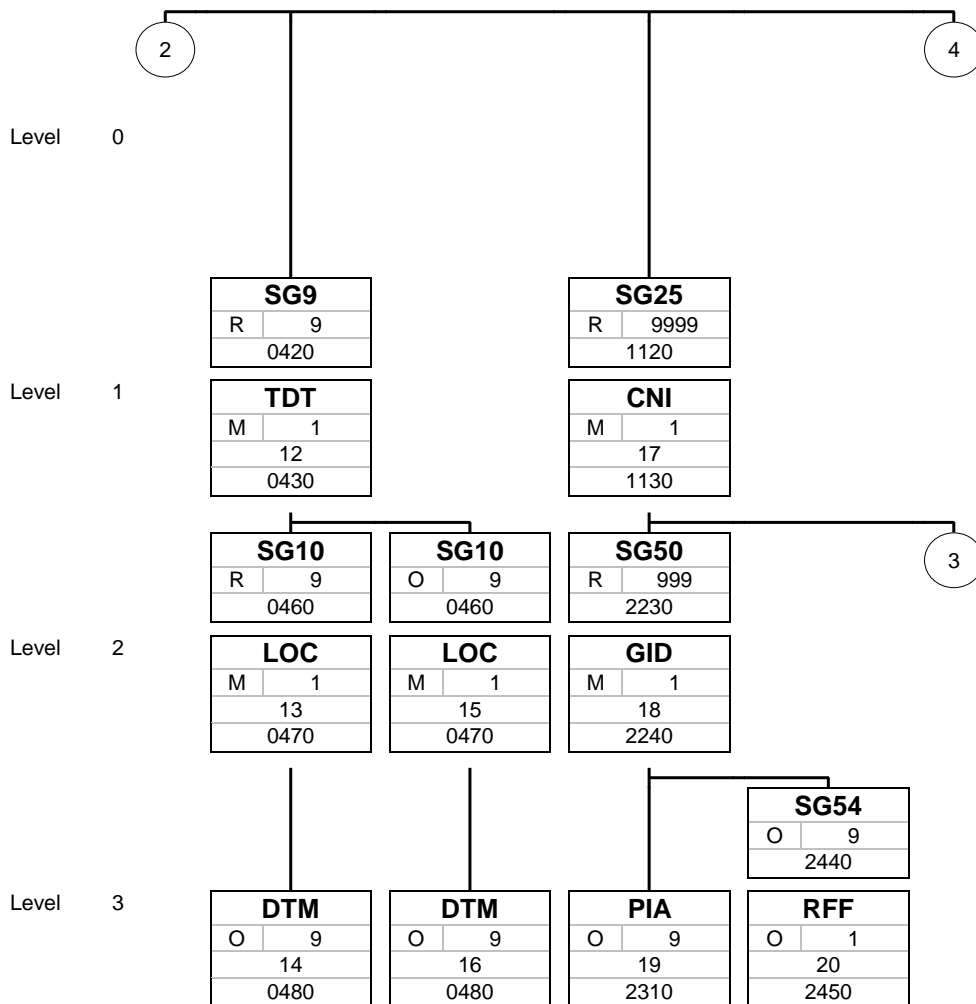
Tag
St MaxOcc
No
Counter

Tag = Segment/Group Tag
 St = Status (M=Mandatory, C=Conditional, R=Required, O=Optional, A=Advised, D=Dependent)
 MaxOcc = Maximum occurrence of the segment/group
 No = Consecutive segment number
 Counter = Counter of segment/group within the standard



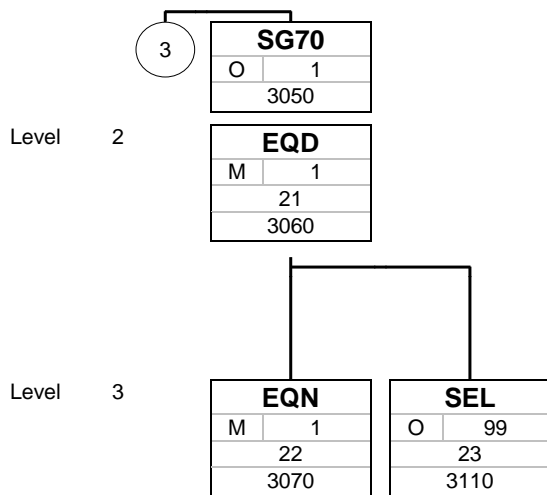
Tag
St MaxOcc
No
Counter

Tag = Segment/Group Tag
 St = Status (M=Mandatory, C=Conditional, R=Required, O=Optional, A=Advised, D=Dependent)
 MaxOcc = Maximum occurrence of the segment/group
 No = Consecutive segment number
 Counter = Counter of segment/group within the standard



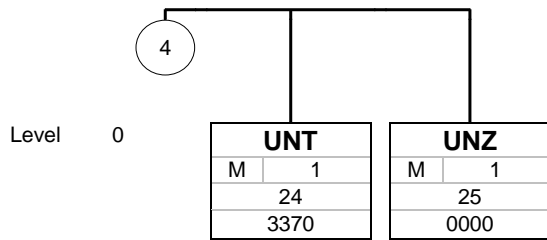
Tag
St MaxOcc
No
Counter

Tag = Segment/Group Tag
 St = Status (M=Mandatory, C=Conditional, R=Required, O=Optional, A=Advised, D=Dependent)
 MaxOcc = Maximum occurrence of the segment/group
 No = Consecutive segment number
 Counter = Counter of segment/group within the standard



Tag
St MaxOcc
No
Counter

Tag = Segment/Group Tag
 St = Status (M=Mandatory, C=Conditional, R=Required, O=Optional, A=Advised, D=Dependent)
 MaxOcc = Maximum occurrence of the segment/group
 No = Consecutive segment number
 Counter = Counter of segment/group within the standard



Tag
St MaxOcc
No
Counter

Tag = Segment/Group Tag
 St = Status (M=Mandatory, C=Conditional, R=Required, O=Optional, A=Advised, D=Dependent)
 MaxOcc = Maximum occurrence of the segment/group
 No = Consecutive segment number
 Counter = Counter of segment/group within the standard



Segments

Counter	No	Tag	St	MaxOcc	Level	Name
0000	1	UNA	R	1	0	Service string advice

		Standard	Implementation	
Tag	Name	St Format	St Format	Usage / Remark
UNA				
UNA1	Component data element separator	M an1	M an1	Used as a separator between component data elements contained within a composite data element (default value: ":")
UNA2	Data element separator	M an1	M an1	Used to separate two simple or composite data elements (default value: "+")
UNA3	Decimal notation	M an1	M an1	Used to indicate the character used for decimal notation (default value: ".")
UNA4	Release indicator	M an1	M an1	Used to restore any service character to its original specification (value: "?").
UNA5	Reserved for future use	M an1	M an1	(default value: space)
UNA6	Segment terminator	M an1	M an1	Used to indicate the end of segment data (default value: "'")

Remark:

Example:

UNA:+.?'

No = Consecutive segment number
 MaxOcc = Maximum occurrence of the segment/group
 Counter = Counter of segment/group within the standard

St = Status
 EDIFACT: M=Mandatory, C=Conditional
 User specific: R=Required, O=Optional, D=Dependent,
 A=Advised, N=Not used



Counter	No	Tag	St	MaxOcc	Level	Name
0000	2	UNB	M	1	0	Interchange Header

Standard			Implementation	
Tag	Name	St Format	St Format	Usage / Remark
UNB				
S001	Syntax identifier	M	M	
0001	Syntax identifier	M a4	M a4	UNOC = UN/ECE level C
0002	Syntax version number	M n1	M n1	3 = Syntax version 3
S002	Interchange sender	M	M	
0004	Sender identification	M an..35	M an..35	GLN (n13)
0007	Partner identification code qualifier	C an..4	R an..4	14 =GS1 (GLN) 1 = DUNS (Dun & Bradstreet numbering system) ZZZ = mutually agreed
0008	Address for reverse routing	C an..14	N	Not used
S003	Interchange recipient	M	M	
0010	Recipient identification	M an..35	M an..35	GLN (n13)
0007	Partner identification code qualifier	C an..4	R an..4	14 = GS1 (GLN) 1 = DUNS (Dun & Bradstreet numbering system) ZZZ = mutually agreed
0014	Routing address	C an..14	N	Not used
S004	Date/time of preparation	M	M	
0017	Date of preparation	M n6	M n6	YYMMDD
0019	Time of preparation	M n4	M n4	HHMM
0020	Interchange control reference	M an..14	M an..14	12345555 Unique reference identifying the interchange. Created by the interchange sender.
S005	Recipient's reference, password	C	N	
0022	Recipient's reference/password	M an..14	N	Not used
0025	Recipient's reference/password qualifier	C an2	N	Not used
0026	Application reference	C an..14	O an..14	IFCSUM = Message identification if the interchange contains only one type of message.
0029	Processing priority code	C a1	N	Not used
0031	Acknowledgement request	C n1	N	Not used
0032	Communications agreement ID	C an..35	O a6	EANCOM
0035	Test indicator	C n1	O n1	1 = Interchange is a test

Remark:**Example:**

UNB+UNOC:3+4012345000009:14+4000004000002:14+180824:1043+12345555++IFCSUM+++EANCOM+1'

No = Consecutive segment number
MaxOcc = Maximum occurrence of the segment/group
Counter = Counter of segment/group within the standard

St = Status
EDIFACT: M=Mandatory, C=Conditional
User specific: R=Required, O=Optional, D=Dependent,
A=Advised, N=Not used



Counter	No	Tag	St	MaxOcc	Level	Name
---------	----	-----	----	--------	-------	------

0010	3	UNH	M	1	0	Message header
------	---	------------	---	---	---	----------------

		Standard	Implementation		
Tag	Name	St Format	St Format	Usage / Remark	
UNH					
0062	Message reference number	M an..14	M an..14	ME000001 (Sender unique message reference number)	
S009	Message identifier	M	M		
0065	Message type	M an..6	M a6	IFCSUM = Forwarding and consolidation summary message (here used as Freight Booking Confirmation)	
0052	Message version number	M an..3	M a1	D = Draft version/UN/EDIFACT Directory	
0054	Message release number	M an..3	M an3	01B = Release 2001 - B	
0051	Controlling agency	M an..2	M a2	UN = UN/CEFACT	
0057	Association assigned code	C an..6	R an..6	EAN004 = GS1 version control number	
0068	Common access reference	C an..35	R an3	1.0 ALDI SÜD EDI Release Number	
S010	Status of the transfer	C	N		
0070	Sequence of transfers	M n..2	N	Not used	
0073	First and last transfer	C a1	N	Not used	

Remark:**Example:**

UNH+ME000001+IFCSUM:D:01B:UN:EAN004+1.0'

No = Consecutive segment number
 MaxOcc = Maximum occurrence of the segment/group
 Counter = Counter of segment/group within the standard

St = Status
 EDIFACT: M=Mandatory, C=Conditional
 User specific: R=Required, O=Optional, D=Dependent,
 A=Advised, N=Not used



Counter	No	Tag	St	MaxOcc	Level	Name
---------	----	-----	----	--------	-------	------

0020	4	BGM	M	1	0	Beginning of message
------	---	------------	---	---	---	----------------------

		Standard	Implementation		
Tag	Name	St Format	St Format	Usage / Remark	
BGM					
C002	Document/message name	C	R		
1001	Document name code	C an..3	R an..3	770 = Booking Confirmation (here used as Freight Booking (Sea) accept)	
1131	Code list identification code	C an..17	N	Not used	
3055	Code list responsible agency code	C an..3	N	Not used	
1000	Document name	C an..35	N	Not used	
C106	Document/message identification	C	R		
1004	Document identifier	C an..35	R an..35	123456 = Forwarding and consolidation summary number	
1056	Version identifier	C an..9	N	Not used	
1060	Revision identifier	C an..6	N	Not used	
1225	Message function code	C an..3	R n1	9 = Original	
4343	Response type code	C an..3	N	Not used	

Remark:

All references other than the document number DE 1004 are to be put in the RFF segment

Example:

BGM+770+123456+9'

No = Consecutive segment number
 MaxOcc = Maximum occurrence of the segment/group
 Counter = Counter of segment/group within the standard

St = Status
 EDIFACT: M=Mandatory, C=Conditional
 User specific: R=Required, O=Optional, D=Dependent,
 A=Advised, N=Not used



Counter	No	Tag	St	MaxOcc	Level	Name
---------	----	-----	----	--------	-------	------

0030	5	DTM	R	9	1	Creation Date
------	---	------------	---	---	---	---------------

Standard			Implementation	
Tag	Name	St Format	St Format	Usage / Remark
DTM				
C507	Date/time/period	M	M	
2005	Date or time or period function code qualifier	M an..3	M n3	137 = Document/message date/time
2380	Date or time or period value	C an..35	R n14	20180823131500 = Document/message date/time
2379	Date or time or period format code	C an..3	R n3	204 = CCYYMMDDHHMMSS

Remark:

Example:

DTM+137:20180823131500:204'

No = Consecutive segment number
 MaxOcc = Maximum occurrence of the segment/group
 Counter = Counter of segment/group within the standard

St = Status
 EDIFACT: M=Mandatory, C=Conditional
 User specific: R=Required, O=Optional, D=Dependent,
 A=Advised, N=Not used



Counter	No	Tag	St	MaxOcc	Level	Name
0050	6	FTX	R	99	1	Freight Booking Confirmation

		Standard	Implementation	
Tag	Name	St Format	St Format	Usage / Remark
FTX				
4451	Text subject code qualifier	M an..3	M a3	DEL = Delivery information
4453	Free text function code	C an..3	N	Not used
C107	Text reference	C	R	
4441	Free text value code	M an..17	M a2	AP = Accepted
1131	Code list identification code	C an..17	N	Not used
3055	Code list responsible agency code	C an..3	O n2	92 = Assigned by buyer or buyer's agent
C108	Text literal	C	N	
4440	Free text value	M an..512	N	Not used
4440	Free text value	C an..512	N	Not used
4440	Free text value	C an..512	N	Not used
4440	Free text value	C an..512	N	Not used
4440	Free text value	C an..512	N	Not used
3453	Language name code	C an..3	N	Not used
4447	Free text format code	C an..3	N	Not used

Remark:**Example:**

FTX+DEL++AP: : 92 '

No = Consecutive segment number
 MaxOcc = Maximum occurrence of the segment/group
 Counter = Counter of segment/group within the standard

St = Status
 EDIFACT: M=Mandatory, C=Conditional
 User specific: R=Required, O=Optional, D=Dependent,
 A=Advised, N=Not used



Counter	No	Tag	St	MaxOcc	Level	Name
0090		SG1	R	1	1	Reference Freight Booking
0100	7	RFF	M	1	1	Reference

Standard			Implementation	
Tag	Name	St Format	St Format	Usage / Remark
RFF				
C506	Reference	M	M	
1153	Reference code qualifier	M an..3	M an..3	AAU = Code/Qualifier Freight Booking Number
1154	Reference identifier	C an..70	R an..35	55555 = Freight Booking Number
1156	Document line identifier	C an..6	N	Not used
4000	Reference version identifier	C an..35	N	Not used
1060	Revision identifier	C an..6	N	Not used

Remark:

Example:

RFF+AAU:55555'

No = Consecutive segment number
 MaxOcc = Maximum occurrence of the segment/group
 Counter = Counter of segment/group within the standard

St = Status
 EDIFACT: M=Mandatory, C=Conditional
 User specific: R=Required, O=Optional, D=Dependent,
 A=Advised, N=Not used



Counter	No	Tag	St	MaxOcc	Level	Name
0090		SG1	O	1	1	Bill of Lading
0100	8	RFF	M	1	1	Reference

Standard			Implementation	
Tag	Name	St Format	St Format	Usage / Remark
RFF				
C506	Reference	M	M	
1153	Reference code qualifier	M an..3	M an2	BM = Bill of lading number
1154	Reference identifier	C an..70	R an..35	HBL1002345 = Bill of lading number
1156	Document line identifier	C an..6	N	Not used
4000	Reference version identifier	C an..35	N	Not used
1060	Revision identifier	C an..6	N	Not used

Remark:

Example:

RFF+BM:HBL1002345'

No = Consecutive segment number
 MaxOcc = Maximum occurrence of the segment/group
 Counter = Counter of segment/group within the standard

St = Status
 EDIFACT: M=Mandatory, C=Conditional
 User specific: R=Required, O=Optional, D=Dependent,
 A=Advised, N=Not used



Counter	No	Tag	St	MaxOcc	Level	Name
0090		SG1	O	9	1	Reference Ocean Freight Forwarder
0100	9	RFF	M	1	1	Reference

Standard			Implementation	
Tag	Name	St Format	St Format	Usage / Remark
RFF				
C506	Reference	M	M	
1153	Reference code qualifier	M an..3	M an..3	AUB = Party reference (here: Ocean Freight Forwarder, clear text)
1154	Reference identifier	C an..70	M an..35	Ocean Freight Company = Party reference (Ocean Freight Forwarder)
1156	Document line identifier	C an..6	N	Not used
4000	Reference version identifier	C an..35	N	Not used
1060	Revision identifier	C an..6	N	Not used

Remark:**Example:**

RFF+AUB:Ocean Freight Company'

No = Consecutive segment number
 MaxOcc = Maximum occurrence of the segment/group
 Counter = Counter of segment/group within the standard

St = Status
 EDIFACT: M=Mandatory, C=Conditional
 User specific: R=Required, O=Optional, D=Dependent,
 A=Advised, N=Not used



Counter	No	Tag	St	MaxOcc	Level	Name
0090		SG1	O	9	1	Freight Agreement Contract number
0100	10	RFF	M	1	1	Reference

Standard			Implementation	
Tag	Name	St Format	St Format	Usage / Remark
RFF				
C506	Reference	M	M	
1153	Reference code qualifier	M an..3	M an..3	ACE = Related document number, here: 'Freight Agreement Contract Number'
1154	Reference identifier	C an..70	M an..35	D/156453/93186/31 = Freight Agreement Contract Number
1156	Document line identifier	C an..6	N	Not used
4000	Reference version identifier	C an..35	N	Not used
1060	Revision identifier	C an..6	N	Not used

Remark:

Example:

RFF+ACE:D/156453/93186/31'

No = Consecutive segment number
 MaxOcc = Maximum occurrence of the segment/group
 Counter = Counter of segment/group within the standard

St = Status
 EDIFACT: M=Mandatory, C=Conditional
 User specific: R=Required, O=Optional, D=Dependent,
 A=Advised, N=Not used



Counter	No	Tag	St	MaxOcc	Level	Name
	0210	SG4	R	9	1	Carrier
	0220	NAD	M	1	1	Name and address

Standard			Implementation	
Tag	Name	St Format	St Format	Usage / Remark
NAD				
3035	Party function code qualifier	M an..3	M a2	CA = Carrier
C082	Party identification details	C	R	
3039	Party identifier	M an..35	M an..35	5412345000013 = GLN Carrier
1131	Code list identification code	C an..17	N	Not used
3055	Code list responsible agency code	C an..3	R an..3	9 = GS1 (GLN) 16 = DUNS (Dun & Bradstreet numbering system) ZZZ = Mutually defined
C058	Name and address	C	N	
3124	Name and address description	M an..35	N	Not used
3124	Name and address description	C an..35	N	Not used
3124	Name and address description	C an..35	N	Not used
3124	Name and address description	C an..35	N	Not used
3124	Name and address description	C an..35	N	Not used
C080	Party name	C	N	
3036	Party name	M an..35	N	Not used
3036	Party name	C an..35	N	Not used
3036	Party name	C an..35	N	Not used
3036	Party name	C an..35	N	Not used
3036	Party name	C an..35	N	Not used
3045	Party name format code	C an..3	N	Not used
C059	Street	C	N	
3042	Street and number or post office box identifier	M an..35	N	Not used
3042	Street and number or post office box identifier	C an..35	N	Not used
3042	Street and number or post office box identifier	C an..35	N	Not used
3042	Street and number or post office box identifier	C an..35	N	Not used
3164	City name	C an..35	N	Not used
C819	Country sub-entity details	C	N	
3229	Country sub-entity name code	C an..9	N	Not used
1131	Code list identification code	C an..17	N	Not used
3055	Code list responsible agency code	C an..3	N	Not used
3228	Country sub-entity name	C an..70	N	Not used
3251	Postal identification code	C an..17	N	Not used

No = Consecutive segment number
 MaxOcc = Maximum occurrence of the segment/group
 Counter = Counter of segment/group within the standard

St = Status
 EDIFACT: M=Mandatory, C=Conditional
 User specific: R=Required, O=Optional, D=Dependent,
 A=Advised, N=Not used



		Standard	Implementation	
Tag	Name	St Format	St Format	Usage / Remark
3207	Country name code	C an..3	N	Not used

Remark:

Example:

NAD+CA+5412345000013:::9'

No = Consecutive segment number
 MaxOcc = Maximum occurrence of the segment/group
 Counter = Counter of segment/group within the standard

St = Status
 EDIFACT: M=Mandatory, C=Conditional
 User specific: R=Required, O=Optional, D=Dependent,
 A=Advised, N=Not used



Counter	No	Tag	St	MaxOcc	Level	Name
0420		SG9	R	9	1	TDT-SG10
0430	12	TDT	M	1	1	Details of transport

Standard			Implementation	
Tag	Name	St Format	St Format	Usage / Remark
TDT				
8051	Transport stage code qualifier	M an..3	M n2	20 = Main-carriage transport
8028	Means of transport journey identifier	C an..17	O an..17	0011Q = Voyage Number
C220	Mode of transport	C	O	
8067	Transport mode name code	C an..3	O n2	10 = Maritime transport
8066	Transport mode name	C an..17	N	Not used
C228	Transport means	C	O	
8179	Transport means description code	C an..8	O n2	13 = Ocean vessel
8178	Transport means description	C an..17	O an..17	'THALASSA NIKI' = Vessel number
C040	Carrier	C	N	
3127	Carrier identifier	C an..17	N	Not used
1131	Code list identification code	C an..17	N	Not used
3055	Code list responsible agency code	C an..3	N	Not used
3128	Carrier name	C an..35	N	Not used
8101	Transit direction indicator code	C an..3	N	Not used
C401	Excess transportation information	C	N	
8457	Excess transportation reason code	M an..3	N	Not used
8459	Excess transportation responsibility code	M an..3	N	Not used
7130	Customer shipment authorisation identifier	C an..17	N	Not used
C222	Transport identification	C	N	
8213	Transport means identification name identifier	C an..9	N	Not used
1131	Code list identification code	C an..17	N	Not used
3055	Code list responsible agency code	C an..3	N	Not used
8212	Transport means identification name	C an..35	N	Not used
8453	Transport means nationality code	C an..3	N	Not used
8281	Transport means ownership indicator code	C an..3	N	Not used

No = Consecutive segment number
 MaxOcc = Maximum occurrence of the segment/group
 Counter = Counter of segment/group within the standard

St = Status
 EDIFACT: M=Mandatory, C=Conditional
 User specific: R=Required, O=Optional, D=Dependent,
 A=Advised, N=Not used

IFCSUM



Remark:

Example:

TDT+20+0011Q+10+13:THALASSA NIKI '

No = Consecutive segment number
MaxOcc = Maximum occurrence of the segment/group
Counter = Counter of segment/group within the standard

St = Status
EDIFACT: M=Mandatory, C=Conditional
User specific: R=Required, O=Optional, D=Dependent,
A=Advised, N=Not used



Counter	No	Tag	St	MaxOcc	Level	Name
	0460	SG10	R	9	2	Main loading port
	0470	LOC	M	1	2	Main loading port

Standard			Implementation	
Tag	Name	St Format	St Format	Usage / Remark
LOC				
3227	Location function code qualifier	M an..3	M n1	5 = Place of departure (here: Main loading port)
C517	Location identification	C	R	
3225	Location name code	C an..25	R an..10	CNSHA = UNLOC code of the main loading location
1131	Code list identification code	C an..17	N	Not used
3055	Code list responsible agency code	C an..3	N	Not used
3224	Location name	C an..256	N	Not used
C519	Related location one identification	C	N	
3223	First related location name code	C an..25	N	Not used
1131	Code list identification code	C an..17	N	Not used
3055	Code list responsible agency code	C an..3	N	Not used
3222	First related location name	C an..70	N	Not used
C553	Related location two identification	C	N	
3233	Second related location name code	C an..25	N	Not used
1131	Code list identification code	C an..17	N	Not used
3055	Code list responsible agency code	C an..3	N	Not used
3232	Second related location name	C an..70	N	Not used
5479	Relation code	C an..3	N	Not used

Remark:**Example:**

LOC+5+CNSHA'

No = Consecutive segment number
 MaxOcc = Maximum occurrence of the segment/group
 Counter = Counter of segment/group within the standard

St = Status
 EDIFACT: M=Mandatory, C=Conditional
 User specific: R=Required, O=Optional, D=Dependent,
 A=Advised, N=Not used



Counter	No	Tag	St	MaxOcc	Level	Name
	0460	SG10	R	9	2	Main loading port
	0480	14 DTM	O	9	3	Date/time/period

Standard			Implementation	
Tag	Name	St Format	St Format	Usage / Remark
DTM				
C507	Date/time/period	M	M	
2005	Date or time or period function code qualifier	M an..3	M n2	79 = Shipment date/time, promised for (here as 'actual departure date from port of loading')
2380	Date or time or period value	C an..35	O n14	20160705183000 = Shipment date/time
2379	Date or time or period format code	C an..3	O n3	204 = CCYYMMDDHHMMSS

Remark:

Example:

DTM+79:20160705183000:204'

No = Consecutive segment number
 MaxOcc = Maximum occurrence of the segment/group
 Counter = Counter of segment/group within the standard

St = Status
 EDIFACT: M=Mandatory, C=Conditional
 User specific: R=Required, O=Optional, D=Dependent,
 A=Advised, N=Not used



Counter	No	Tag	St	MaxOcc	Level	Name
	0460	SG10	O	9	2	Main unloading port
	0470	LOC	M	1	2	Main unloading port

Standard			Implementation	
Tag	Name	St Format	St Format	Usage / Remark
LOC				
3227	Location function code qualifier	M an..3	M n1	7 = Place of departure (here: Main unloading port)
C517	Location identification	C	R	
3225	Location name code	C an..25	R an..10	DEHAM = UNLOC code of the main unloading location
1131	Code list identification code	C an..17	N	Not used
3055	Code list responsible agency code	C an..3	N	Not used
3224	Location name	C an..256	N	Not used
C519	Related location one identification	C	N	
3223	First related location name code	C an..25	N	Not used
1131	Code list identification code	C an..17	N	Not used
3055	Code list responsible agency code	C an..3	N	Not used
3222	First related location name	C an..70	N	Not used
C553	Related location two identification	C	N	
3233	Second related location name code	C an..25	N	Not used
1131	Code list identification code	C an..17	N	Not used
3055	Code list responsible agency code	C an..3	N	Not used
3232	Second related location name	C an..70	N	Not used
5479	Relation code	C an..3	N	Not used

Remark:**Example:**

LOC+7+DEHAM'

No = Consecutive segment number
 MaxOcc = Maximum occurrence of the segment/group
 Counter = Counter of segment/group within the standard

St = Status
 EDIFACT: M=Mandatory, C=Conditional
 User specific: R=Required, O=Optional, D=Dependent,
 A=Advised, N=Not used



Counter	No	Tag	St	MaxOcc	Level	Name
	0460	SG10	O	9	2	Main unloading port
	0480	16 DTM	O	9	3	Date/time/period

Standard			Implementation	
Tag	Name	St Format	St Format	Usage / Remark
DTM				
C507	Date/time/period	M	M	
2005	Date or time or period function code qualifier	M an..3	M n2	35 = Delivery date/time, actual (here as 'Actual arrival date at port of discharge')
2380	Date or time or period value	C an..35	O n14	20160507184500 = Delivery date/time
2379	Date or time or period format code	C an..3	O n3	204 = CCYYMMDDHHMMSS

Remark:

Example:

DTM+35:20160705184500:204'

No = Consecutive segment number
 MaxOcc = Maximum occurrence of the segment/group
 Counter = Counter of segment/group within the standard

St = Status
 EDIFACT: M=Mandatory, C=Conditional
 User specific: R=Required, O=Optional, D=Dependent,
 A=Advised, N=Not used



Counter	No	Tag	St	MaxOcc	Level	Name
1120		SG25	R	9999	1	CNI-SG50-SG70
1130	17	CNI	M	1	1	Consignment information

Standard			Implementation	
Tag	Name	St Format	St Format	Usage / Remark
CNI				
1490	Consolidation item number	C n..4	C n..4	
C503	Document/message details	C	N	
1004	Document identifier	C an..35	N	Not used
1373	Document status code	C an..3	N	Not used
1366	Document source description	C an..70	N	Not used
3453	Language name code	C an..3	N	Not used
1056	Version identifier	C an..9	N	Not used
1060	Revision identifier	C an..6	N	Not used
1312	Consignment load sequence identifier	C n..4	N	Not used

Remark:**Example:**

CNI+9'

No = Consecutive segment number
 MaxOcc = Maximum occurrence of the segment/group
 Counter = Counter of segment/group within the standard

St = Status
 EDIFACT: M=Mandatory, C=Conditional
 User specific: R=Required, O=Optional, D=Dependent,
 A=Advised, N=Not used



Counter	No	Tag	St	MaxOcc	Level	Name
	2230	SG50	R	999	2	GID-PIA-SG54
	2240	GID	M	1	2	Goods item details

Standard			Implementation	
Tag	Name	St Format	St Format	Usage / Remark
GID				
1496	Goods item number	C n..5	N	Not used
C213	Number and type of packages	C	R	
7224	Package quantity	C n..8	O n..10	9 = Number of packages
7065	Package type description code	C an..17	N	Not used
1131	Code list identification code	C an..17	N	Not used
3055	Code list responsible agency code	C an..3	N	Not used
7064	Type of packages	C an..35	N	Not used
7233	Packaging related description code	C an..3	N	Not used
C213	Number and type of packages	C	N	
7224	Package quantity	C n..8	N	Not used
7065	Package type description code	C an..17	N	Not used
1131	Code list identification code	C an..17	N	Not used
3055	Code list responsible agency code	C an..3	N	Not used
7064	Type of packages	C an..35	N	Not used
7233	Packaging related description code	C an..3	N	Not used
C213	Number and type of packages	C	N	
7224	Package quantity	C n..8	N	Not used
7065	Package type description code	C an..17	N	Not used
1131	Code list identification code	C an..17	N	Not used
3055	Code list responsible agency code	C an..3	N	Not used
7064	Type of packages	C an..35	N	Not used
7233	Packaging related description code	C an..3	N	Not used
C213	Number and type of packages	C	N	
7224	Package quantity	C n..8	N	Not used
7065	Package type description code	C an..17	N	Not used
1131	Code list identification code	C an..17	N	Not used
3055	Code list responsible agency code	C an..3	N	Not used
7064	Type of packages	C an..35	N	Not used
7233	Packaging related description code	C an..3	N	Not used

No = Consecutive segment number
 MaxOcc = Maximum occurrence of the segment/group
 Counter = Counter of segment/group within the standard

St = Status
 EDIFACT: M=Mandatory, C=Conditional
 User specific: R=Required, O=Optional, D=Dependent,
 A=Advised, N=Not used



		Standard		Implementation		
Tag	Name	St	Format	St	Format	Usage / Remark
C213	Number and type of packages	C		N		
7224	Package quantity	C	n..8	N		Not used
7065	Package type description code	C	an..17	N		Not used
1131	Code list identification code	C	an..17	N		Not used
3055	Code list responsible agency code	C	an..3	N		Not used
7064	Type of packages	C	an..35	N		Not used
7233	Packaging related description code	C	an..3	N		Not used

Remark:**Example:**

GID++9'

No = Consecutive segment number
 MaxOcc = Maximum occurrence of the segment/group
 Counter = Counter of segment/group within the standard

St = Status
 EDIFACT: M=Mandatory, C=Conditional
 User specific: R=Required, O=Optional, D=Dependent,
 A=Advised, N=Not used



Counter	No	Tag	St	MaxOcc	Level	Name
	2230	SG50	R	999	2	GID-PIA-SG54
	2310	PIA	O	9	3	Additional product id

Standard			Implementation	
Tag	Name	St Format	St Format	Usage / Remark
PIA				
4347	Product identifier code qualifier	M an..3	M n1	5 = Product identification
C212	Item number identification	M	M	
7140	Item identifier	C an..35	R an..35	12345 = Product ID
7143	Item type identification code	C an..3	C an..3	IN = Buyers Item Number
1131	Code list identification code	C an..17	N	Not used
3055	Code list responsible agency code	C an..3	N	Not used
C212	Item number identification	C	N	
7140	Item identifier	C an..35	N	Not used
7143	Item type identification code	C an..3	N	Not used
1131	Code list identification code	C an..17	N	Not used
3055	Code list responsible agency code	C an..3	N	Not used
C212	Item number identification	C	N	
7140	Item identifier	C an..35	N	Not used
7143	Item type identification code	C an..3	N	Not used
1131	Code list identification code	C an..17	N	Not used
3055	Code list responsible agency code	C an..3	N	Not used
C212	Item number identification	C	N	
7140	Item identifier	C an..35	N	Not used
7143	Item type identification code	C an..3	N	Not used
1131	Code list identification code	C an..17	N	Not used
3055	Code list responsible agency code	C an..3	N	Not used

Remark:**Example:**

PIA+5+12345:IN'

No = Consecutive segment number
 MaxOcc = Maximum occurrence of the segment/group
 Counter = Counter of segment/group within the standard

St = Status
 EDIFACT: M=Mandatory, C=Conditional
 User specific: R=Required, O=Optional, D=Dependent,
 A=Advised, N=Not used



Counter	No	Tag	St	MaxOcc	Level	Name
	2440	SG54	O	9	3	Reference Purchase Order Number
	2450	20 RFF	O	1	3	Reference

Standard			Implementation	
Tag	Name	St Format	St Format	Usage / Remark
RFF				
C506	Reference	M	M	
1153	Reference code qualifier	M an..3	M an..3	ON = Order Number (Buyer)
1154	Reference identifier	C an..70	O an..35	12345 = Order Number (Buyer)
1156	Document line identifier	C an..6	N	Not used
4000	Reference version identifier	C an..35	N	Not used
1060	Revision identifier	C an..6	N	Not used

Remark:

Example:

REF+ON:12345'

No = Consecutive segment number
 MaxOcc = Maximum occurrence of the segment/group
 Counter = Counter of segment/group within the standard

St = Status
 EDIFACT: M=Mandatory, C=Conditional
 User specific: R=Required, O=Optional, D=Dependent,
 A=Advised, N=Not used



Counter	No	Tag	St	MaxOcc	Level	Name
	3050	SG70	O	1	2	EQD-EQN-SEL
	3060	EQD	M	1	2	Equipment details

Standard			Implementation	
Tag	Name	St Format	St Format	Usage / Remark
EQD				
8053	Equipment type code qualifier	M an..3	M an2	CN = Container
C237	Equipment identification	C	R	
8260	Equipment identifier	C an..17	R an..40	CSQ123456 = Container number
1131	Code list identification code	C an..17	N	Not used
3055	Code list responsible agency code	C an..3	N	Not used
3207	Country name code	C an..3	N	Not used
C224	Equipment size and type	C	R	
8155	Equipment size and type description code	C an..10	R an..10	21 = Container IC 20 ft. 23 = Container IC 40 ft.
1131	Code list identification code	C an..17	N	Not used
3055	Code list responsible agency code	C an..3	N	Not used
8154	Equipment size and type description	C an..35	O an..35	"High Cube" in case of 20FT or 40FT containers
8077	Equipment supplier code	C an..3	N	Not used
8249	Equipment status code	C an..3	N	Not used
8169	Full or empty indicator code	C an..3	N	Not used

Remark:**Example:**

EQD+CN+CSQ123456+21:::High Cube'

No = Consecutive segment number
 MaxOcc = Maximum occurrence of the segment/group
 Counter = Counter of segment/group within the standard

St = Status
 EDIFACT: M=Mandatory, C=Conditional
 User specific: R=Required, O=Optional, D=Dependent,
 A=Advised, N=Not used



Counter	No	Tag	St	MaxOcc	Level	Name
	3050	SG70	O	1	2	EQD-EQN-SEL
	3070	22 EQN	M	1	3	Number of units

Standard			Implementation	
Tag	Name	St Format	St Format	Usage / Remark
EQN				
C523	Number of unit details	M	M	
6350	Units quantity	C n..15	R n..5	9 = Total number of containers
6353	Unit type code qualifier	C an..3	N	Not used

Remark:

Example:

EQN+9'

No = Consecutive segment number
 MaxOcc = Maximum occurrence of the segment/group
 Counter = Counter of segment/group within the standard

St = Status
 EDIFACT: M=Mandatory, C=Conditional
 User specific: R=Required, O=Optional, D=Dependent,
 A=Advised, N=Not used



Counter	No	Tag	St	MaxOcc	Level	Name
	3050	SG70	O	1	2	EQD-EQN-SEL
	3110	23	SEL	O	99	3 Seal number

Standard			Implementation	
Tag	Name	St Format	St Format	Usage / Remark
SEL				
9308	Seal identifier	C an..35	R an..35	10 = Seal number
C215	Seal issuer	C	N	
9303	Sealing party name code	C an..3	N	Not used
1131	Code list identification code	C an..17	N	Not used
3055	Code list responsible agency code	C an..3	N	Not used
9302	Sealing party name	C an..35	N	Not used
4517	Seal condition code	C an..3	N	Not used
C208	Identity number range	C	N	
7402	Object identifier	M an..35	N	Not used
7402	Object identifier	C an..35	N	Not used

Remark:**Example:**

SEL+10'

No = Consecutive segment number
 MaxOcc = Maximum occurrence of the segment/group
 Counter = Counter of segment/group within the standard

St = Status
 EDIFACT: M=Mandatory, C=Conditional
 User specific: R=Required, O=Optional, D=Dependent,
 A=Advised, N=Not used



Counter	No	Tag	St	MaxOcc	Level	Name
3370	24	UNT	M	1	0	Message trailer

		Standard	Implementation		
Tag	Name	St Format	St Format	Usage / Remark	
UNT					
0074	Number of segments in the message	M n..6	M n..6	The total number of segments in the message is detailed here. 22 = Number of segments in the message	
0062	Message reference number	M an..14	M an..14	The message reference numbered detailed here should equal the one specified in the UNH segment. ME000001 = Message reference number (see UNH)	

Remark:

Example:

UNT+22+ME000001'

No = Consecutive segment number
 MaxOcc = Maximum occurrence of the segment/group
 Counter = Counter of segment/group within the standard

St = Status
 EDIFACT: M=Mandatory, C=Conditional
 User specific: R=Required, O=Optional, D=Dependent,
 A=Advised, N=Not used



Counter	No	Tag	St	MaxOcc	Level	Name
0000	25	UNZ	M	1	0	Interchange trailer

Standard			Implementation	
Tag	Name	St Format	St Format	Usage / Remark
UNZ				
0036	Interchange control count	M n..6	M n..6	Number of messages or functional groups within an interchange.
0020	Interchange control reference	M an..14	M an..14	Identical to DE 0020 in UNB segment.

Remark:

Example:

UNZ+1+12345555'

No = Consecutive segment number
 MaxOcc = Maximum occurrence of the segment/group
 Counter = Counter of segment/group within the standard

St = Status
 EDIFACT: M=Mandatory, C=Conditional
 User specific: R=Required, O=Optional, D=Dependent,
 A=Advised, N=Not used



Example Message

No	Tag	Example
01	UNA	UNA:+.? '
02	UNB	UNB+UNOC:3+401234500009:14+4000004000002:14+180824:1043+12345555++IFC SUM+++EANCOM+1'
03	UNH	UNH+ME000001+IFCSUM:D:01B:UN:EAN004+1.0'
04	BGM	BGM+770+123456+9'
05	DTM	DTM+137:20180823131500:204'
06	FTX	FTX+DEL++AP::92'
	SG1	
07	RFF	RFF+AAU:55555'
	SG1	
08	RFF	RFF+BM:HBL1002345'
	SG1	
09	RFF	RFF+AUB:Ocean Freight Company'
	SG1	
10	RFF	RFF+ACE:D/156453/93186/31'
	SG4	
11	NAD	NAD+CA+5412345000013::9'
	SG9	
12	TDT	TDT+20+0011Q+10+13:THALASSA NIKI'
	SG10	
13	LOC	LOC+5+CNSHA'
14	DTM	DTM+79:20160705183000:204'
	SG10	
15	LOC	LOC+7+DEHAM'
16	DTM	DTM+35:20160705184500:204'
	SG25	
17	CNI	CNI+9'
	SG50	
18	GID	GID++9'
19	PIA	PIA+5+12345:IN'

No = Consecutive segment number



No	Tag	Example
SG54		
20	RFF	RFF+ON:12345'
SG70		
21	EQD	EQD+CN+CSQ123456+21:::High Cube'
22	EQN	EQN+9'
23	SEL	SEL+10'
24	UNT	UNT+22+ME000001'
25	UNZ	UNZ+1+12345555'

No = Consecutive segment number